



10W Single Output Industrial DIN Rail Power Supply

MDR-10 series



■ Features :

- Universal AC input/Full range
- Protections: Short circuit / Overload / Over voltage
- Cooling by free air convection
- Can be installed on DIN rail TS-35/7.5 or 15
- Built in DC OK active signal
- LED indicator for power on
- No load power consumption<0.75W
- 100% full load burn-in test
- 3 years warranty

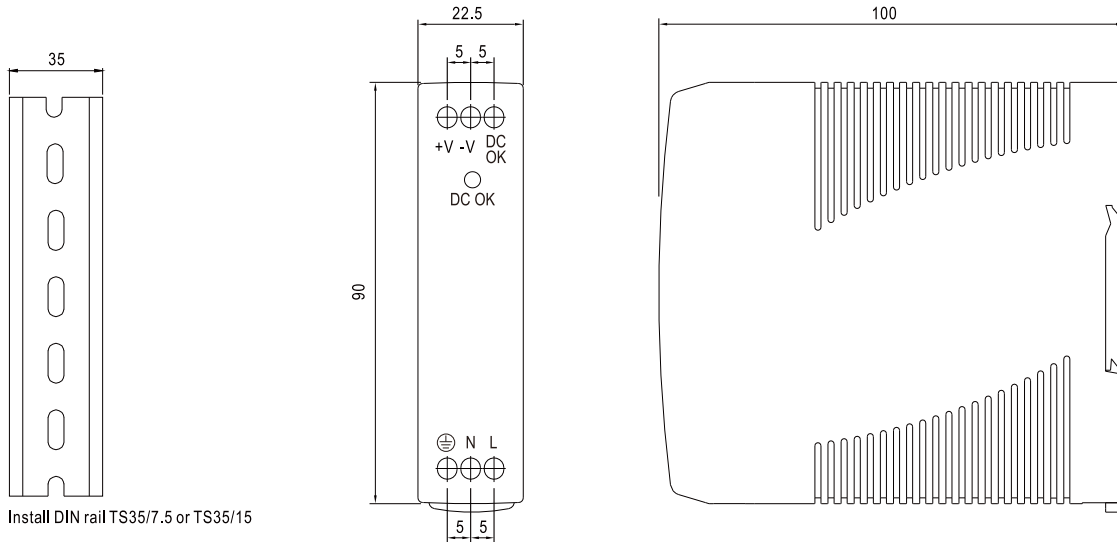


SPECIFICATION

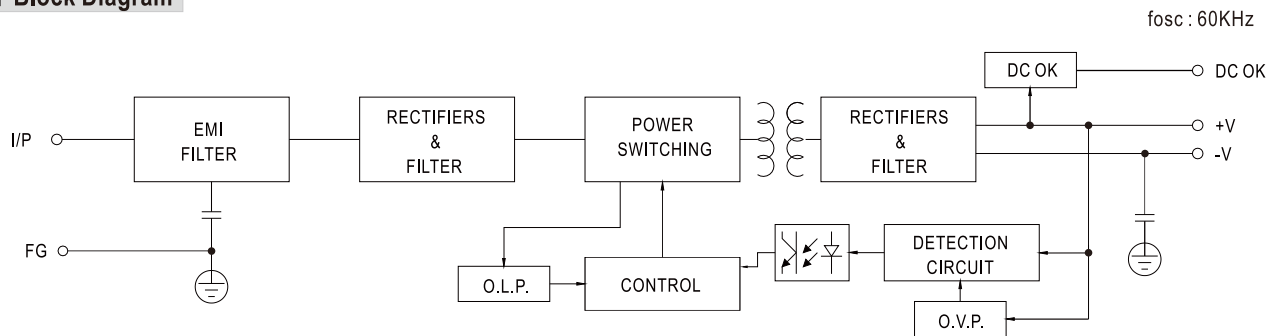
| MODEL | MDR-10-5 | MDR-10-12 | MDR-10-15 | MDR-10-24 | |
|-----------------------|--|--|----------------------------------|---------------------|-----------------|
| OUTPUT | DC VOLTAGE | 5V | 12V | 15V | 24V |
| | RATED CURRENT | 2A | 0,84A | 0,67A | 0,42A |
| | CURRENT RANGE | 0 ~ 2A | 0 ~ 0.84A | 0 ~ 0.67A | 0 ~ 0.42A |
| | RATED POWER | 10W | 10W | 10W | 10W |
| | RIPPLE & NOISE (max.) Note.2 | 80mVp-p | 120mVp-p | 120mVp-p | 150mVp-p |
| | VOLTAGE TOLERANCE Note.3 | ± 5.0% | ± 3.0% | ± 3.0% | ± 2.0% |
| | LINE REGULATION | ± 1.0% | ± 1.0% | ± 1.0% | ± 1.0% |
| | LOAD REGULATION | ± 5.0% | ± 3.0% | ± 3.0% | ± 2.0% |
| | SETUP, RISE TIME Note.5 | 500ms, 30ms/230VAC | 1000ms, 30ms/115VAC at full load | | |
| HOLD UP TIME (Typ.) | 120ms/230VAC | 25ms/115VAC at full load | | | |
| INPUT | VOLTAGE RANGE | 85 ~ 264VAC | 120 ~ 370VDC | | |
| | FREQUENCY RANGE | 47 ~ 63Hz | | | |
| | EFFICIENCY (Typ.) | 77% | 81% | 81% | 84% |
| | AC CURRENT (Typ.) | 0.33A/115VAC | 0.21A/230VAC | | |
| | INRUSH CURRENT (Typ.) | COLD START 35A/115VAC | 70A/230VAC | | |
| | LEAKAGE CURRENT | <1mA / 240VAC | | | |
| PROTECTION | OVERLOAD | Above 105% rated output power Protection type : Hiccup mode, recovers automatically after fault condition is removed | | | |
| | OVER VOLTAGE | 5.75 ~ 6.75V | 13.8 ~ 16.2V | 17.25 ~ 20.25V | 27.6 ~ 32.4V |
| | | Protection type : Shut down o/p voltage, re-power on to recover | | | |
| FUNCTION | DC OK ACTIVE SIGNAL (max.) | 3.75 ~ 6V / 50mA | 9 ~ 13.5V / 40mA | 11.5 ~ 16.5V / 40mA | 18 ~ 27V / 20mA |
| ENVIRONMENT | WORKING TEMP. | -20 ~ +70°C (Refer to "Derating Curve") | | | |
| | WORKING HUMIDITY | 20 ~ 90% RH non-condensing | | | |
| | STORAGE TEMP, HUMIDITY | -40 ~ +85°C, 10 ~ 95% RH | | | |
| | TEMP. COEFFICIENT | ± 0.03%/°C (0 ~ 50°C) | | | |
| | VIBRATION | Component:10 ~ 500Hz, 2G 10min./1cycle, 60min, each along X, Y, Z axes; Mounting: Compliance to IEC60068-2-6 | | | |
| SAFETY & EMC (Note 4) | SAFETY STANDARDS | UL508, TUV EN60950-1, EAC TP TC 004, BSMI CNS14336-1, AS/NZS 62368.1 approved | | | |
| | WITHSTAND VOLTAGE | I/P-O/P:3KVAC I/P-FG:2KVAC O/P-FG:0.5KVAC | | | |
| | ISOLATION RESISTANCE | I/P-O/P, I/P-FG, O/P-FG:100M Ohms / 500VDC / 25°C / 70% RH | | | |
| | EMC EMISSION | Compliance to EN55011, EN55032 (CISPR32), EN61204-3 Class B, EN61000-3-2,-3, EAC TP TC 020, CNS13438 Class B | | | |
| | EMC IMMUNITY | Compliance to EN61000-4-2, 3, 4, 5, 6, 8, 11, EN55024, EN61000-6-1, EN61204-3, light industry level, criteria A, EAC TP TC 020 | | | |
| OTHERS | MTBF | 584K hrs min. MIL-HDBK-217F (25°C) | | | |
| | DIMENSION | 22.5*90*100mm (W*H*D) | | | |
| | PACKING | 0,15Kg; 72pcs/11,8Kg/0,91CUFT | | | |
| NOTE | <p>1. All parameters NOT specially mentioned are measured at 230VAC input, rated load and 25°C of ambient temperature.</p> <p>2. Ripple & noise are measured at 20MHz of bandwidth by using a 12" twisted pair-wire terminated with a 0.1uf & 47uf parallel capacitor.</p> <p>3. Tolerance : includes set up tolerance, line regulation and load regulation.</p> <p>4. The power supply is considered a component which will be installed into a final equipment. The final equipment must be re-confirmed that it still meets EMC directives. For guidance on how to perform these EMC tests, please refer to "EMI testing of component power supplies." (as available on http://www.meanwell.com)</p> <p>5. Length of set up time is measured at cold first start. Turning ON/OFF the power supply may lead to increase of the set up time.</p> <p>6. The ambient temperature derating of 3.5°C/1000m with fanless models and of 5°C/1000m with fan models for operating altitude higher than 2000m(6500ft).</p> | | | | |

Mechanical Specification

Case No. 956 Unit:mm

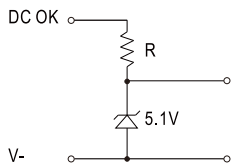


Block Diagram



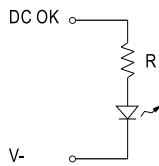
Application of DC OK Active Signal

(a) 5V signal



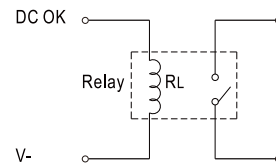
| Model | R |
|-------|--------|
| 5V | ≧200Ω |
| 12V | ≧1.5KΩ |
| 15V | ≧2KΩ |
| 24V | ≧3.9KΩ |

(b) LED



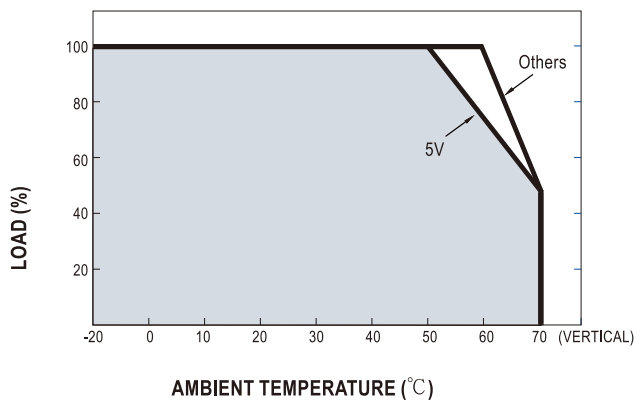
| Model | R |
|-------|--------|
| 5V | ≧1KΩ |
| 12V | ≧2.4KΩ |
| 15V | ≧3KΩ |
| 24V | ≧4.7KΩ |

(c) Relay



| Model | RL |
|-------|--------|
| 5V | ≧120Ω |
| 12V | ≧700Ω |
| 15V | ≧700Ω |
| 24V | ≧1.2KΩ |

Derating Curve



Output Derating VS Input Voltage

