



RF200
Motor protection
relay

Product designation

Product type designation

General characteristics

Number of poles	nr.	3
Overvoltage category		III
Pollution degree		3
Frontal IP degree		IP20
Type of release		Thermal
Protection fuse		
	gG (IEC)	A 250
	aM (IEC)	A 160
	K5 (UL)	A 500
Phase failure detection		no
Reset mode		manual or automatic

Power circuit characteristics

Rated insulation voltage U_i IEC/EN	V	1000
Rated impulse withstand voltage U_{imp}	kV	6
Rated operational voltage	V	690
Operational frequency		
	min	Hz 50
	max	Hz 60
Operational current I_e		
	Operational current min	A 90
	Operational current max	A 150
Tripping class		10A
Test Button		yes
Trip indicator		yes

Terminals

type		screw and flat washer
screw		M8
width	mm	20
tool		Bar 13mm

Tightening torque for terminals

min	Nm	18
Max	Nm	18
min	lbin	13.3
max	lbin	13.3

Auxiliary circuit characteristics

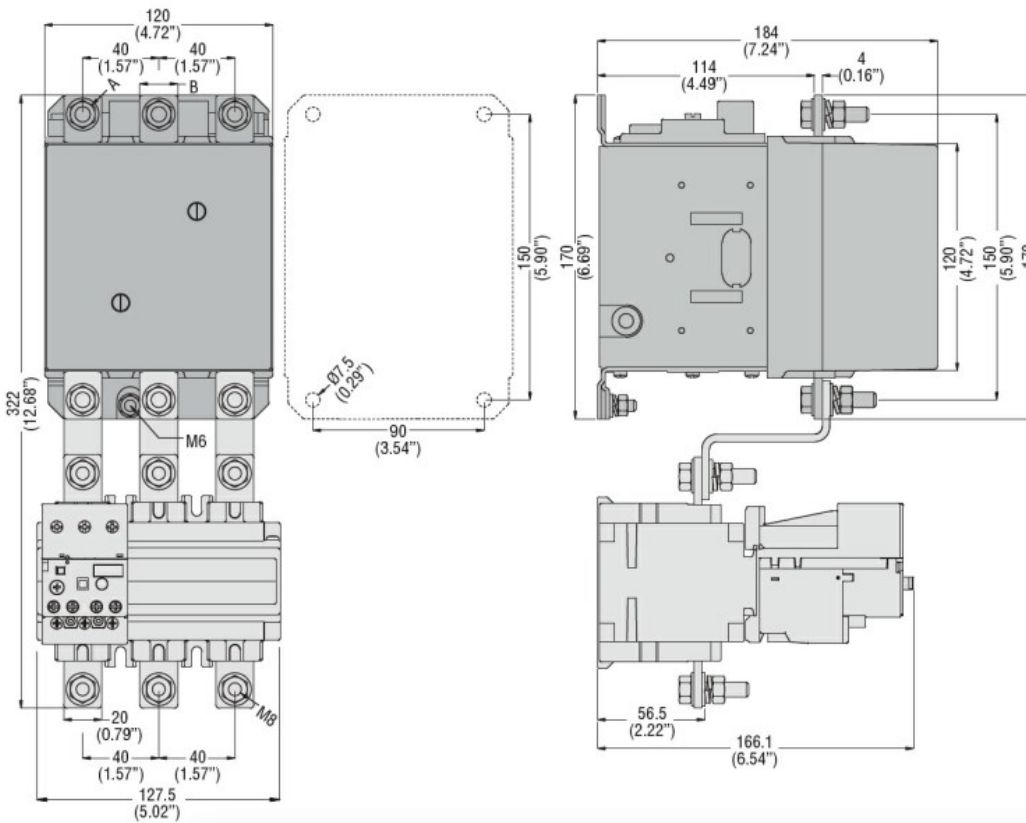
Auxiliary contacts

NO	nr.	1
NC	nr.	1

Auxiliary Rated insulation voltage U_i IEC/EN

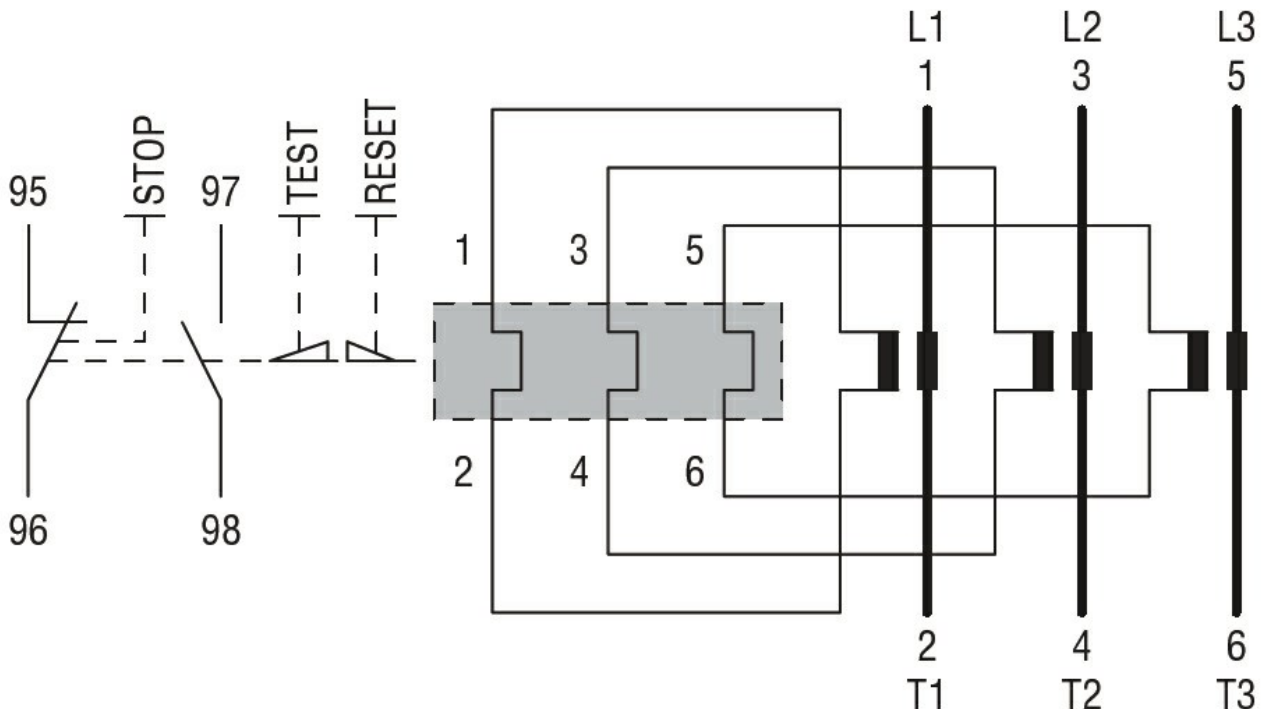
V	690
---	-----

Auxiliary Rated impulse withstand voltage Uimp	kV	6
Auxiliary Rated operational voltage	V	690
Operating current AC15	24V	A 3
	120V	A 3
	240V	A 1.5
	380V	A 0.95
	480V	A 0.75
	500V	A 0.72
	600V	A 0.6
Operating current DC13	125V	A 0.11
	600V	A 0.22
IEC Conventional free air thermal current Ith	A	10
Terminals	Auxiliary circuit type	screw and washer
	Auxiliary circuit screw	M3,5
	Auxiliary circuit width	mm 8
	Auxiliary circuit tool	Phillips 2
Conductor section	Auxiliary circuit Flexible w/o lug max	mm ² 2.5
	Auxiliary circuit Flexible c/w lug max	mm ² 2.5
Tightening torque for terminals	Auxiliary circuit min	Nm 0.8
	Auxiliary circuit max	Nm 1
	Auxiliary circuit min	lbin 0.59
	Auxiliary circuit max	lbin 0.74
UL/CSA and IEC/EN 60947-5-1 designation		B600-R300
Ambient conditions		
Operating temperature	min	°C -25
	max	°C 60
Storage temperature	min	°C -50
	max	°C 70
Compensation temperature	min	°C -20
	max	°C 60
Max altitude	m	3000
Mechanical features		
Operating position	normal allowable	Vertical plan ±30°
Weight	g	2150
UL technical data		
Full-load current (FLA) for three-phase AC motor	at 480V	A 150
	at 600V	A 150
Dimensions		



CONTACTOR TYPE	A	B
B115	M6	15 (0.59")
B145	M8	20 (0.79")
B180	M8	20 (0.79")

Wiring diagrams



Certifications and compliance

Compliance

CSA C22.2 n° 14

IEC/EN 60947-1

IEC/EN 60947-4-1

UL508

Certifications

cULus
EAC
