



Product designation				Power contactor
Product type designation				BFK150
Contact characteristics				
Number of poles	nr.			3
Rated insulation voltage U_i IEC/EN	V			1000
Rated impulse withstand voltage U_{imp}	kV			8
Operational frequency	min	Hz	25	
	max	Hz	400	
IEC Conventional free air thermal current I_{th}	A			165
Operational current I_e	AC-1 ($\leq 40^\circ C$)	A	165	
	AC-3 ($\leq 440V \leq 55^\circ C$)	A	150	
	AC-4 (400V)	A	70	
Rated operational power AC-6b ($T \leq 40^\circ C$)	230V	kvar	50	
	400V	kvar	100	
	500V	kvar	115	
	690V	kvar	150	
Short-time allowable current for 10s (IEC/EN60947-1)	A			1200
Protection fuse	gG (IEC)	A	250	
	aM (IEC)	A	160	
Making capacity (RMS value)	A			1500
Breaking capacity at voltage	440V	A	1200	
	500V	A	1025	
	690V	A	905	
Resistance per pole (average value)	m Ω			0.45
Power dissipation per pole (average value)	I_{th}	W	12	
	AC3	W	10.1	
Tightening torque for terminals	min	Nm	6	
	max	Nm	7	
	min	lbin	4.4	
	max	lbin	5.2	
Tightening torque for coil terminal	min	Nm	0.8	
	max	Nm	1	
	min	lbft	0.59	
	max	lbft	0.74	
Conductor section	Flexible w/o lug conductor section			
	min	mm ²	1.5	

	max	mm ²	70
Flexible c/w lug conductor section	min	mm ²	1.5
	max	mm ²	70
Power terminal protection according to IEC/EN 60529			IP20 front
Mechanical features			
Operating position	normal allowable		vertical plan ±30°
Fixing			Screw / DIN rail 35mm
Weight		g	2095
Operations			
Mechanical life		cycles	15000000
Electrical life		cycles	800000
AC coil operating			
Rated AC voltage at 50/60Hz, 60Hz	min	V	12
	max	V	600
AC operating voltage			
of 50/60Hz coil powered at 50Hz			
pick-up			
	max	%Us	110
drop-out			
	min	%Us	20
	max	%Us	55
of 50/60Hz coil powered at 60Hz			
pick-up			
	min	%Us	85
	max	%Us	110
drop-out			
	min	%Us	40
	max	%Us	55
AC operating voltage at 20°C			
of 50/60Hz coil powered at 50Hz			
	in-rush	VA	300
	holding	VA	20
of 50/60Hz coil powered at 60Hz			
	in-rush	VA	300
	holding	VA	17
of 60Hz coil powered at 60Hz			
	in-rush	VA	300
	holding	VA	20
Dissipation at holding ≤20°C 50Hz		W	6.5
Max cycles frequency			
Mechanical operations		cycles/h	1500
Operating times			
Average time for Us control in AC			
Closing NO			
	min	ms	45
	max	ms	32
Opening NO			
	min	ms	9

max ms 24

Ambient conditions

Temperature

Operating temperature

min °C -50
max °C 70

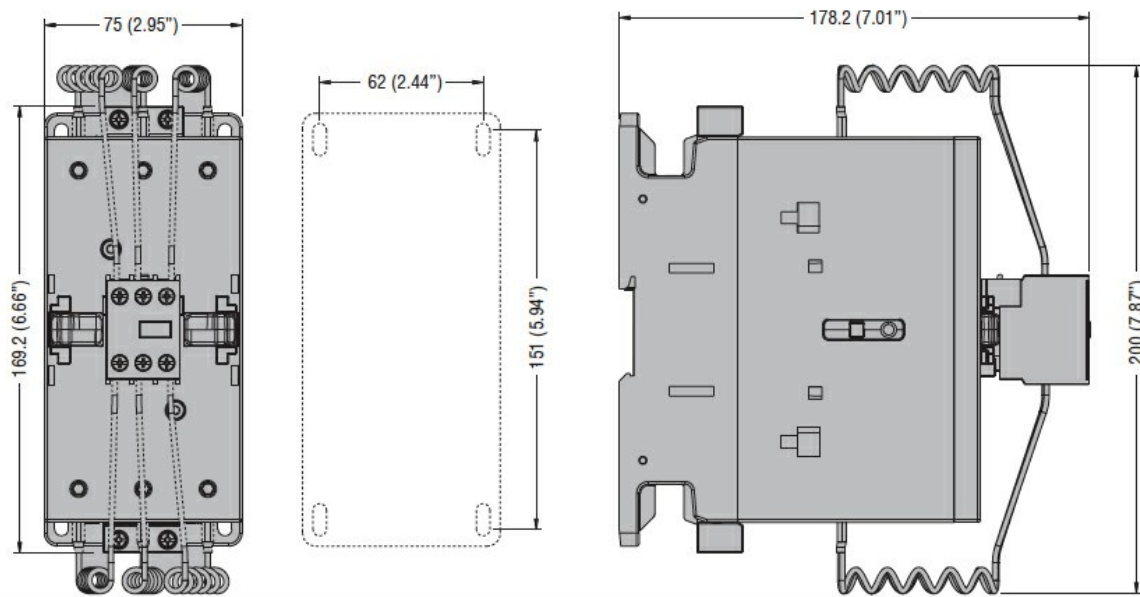
Storage temperature

min °C -60
max °C 80

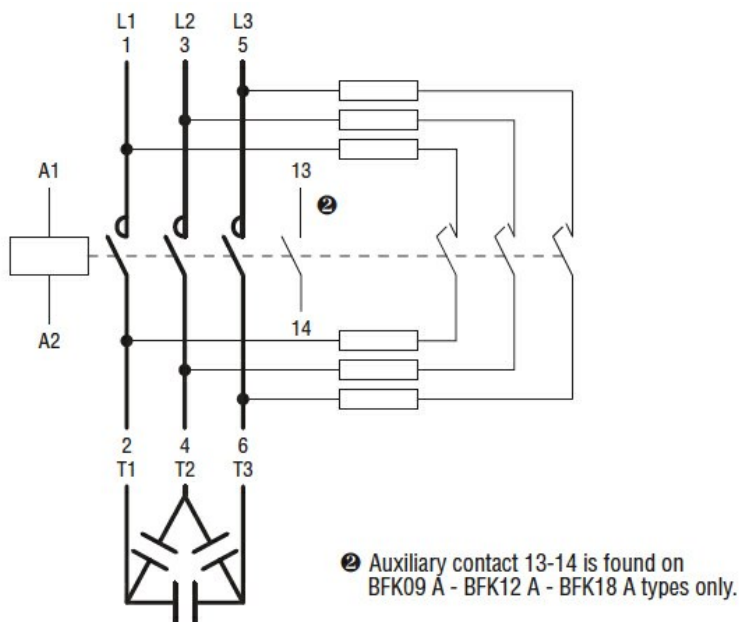
Max altitude

m 3000

Dimensions



Wiring diagrams



Certifications and compliance

Compliance

CSA C22.2 n° 60947-1

CSA C22.2 n° 60947-4-1

IEC/EN 60947-1

IEC/EN 60947-4-1

UL 60947-1

UL 60947-4-1

Certificates

CCC

cULus

ETIM 6 classification

EC000066 - Power contactor, AC switching