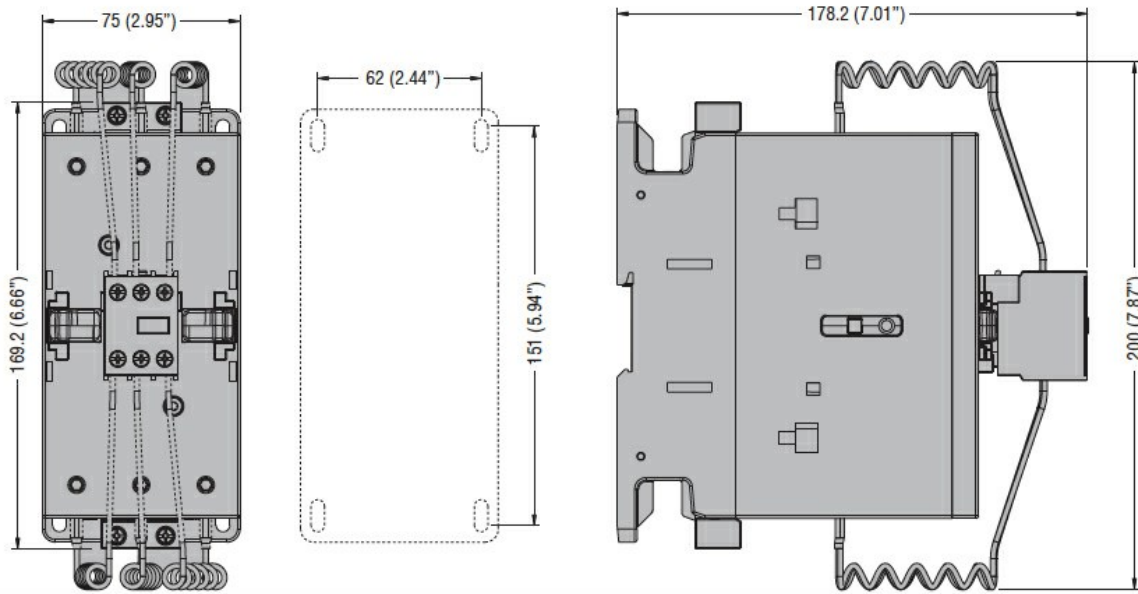




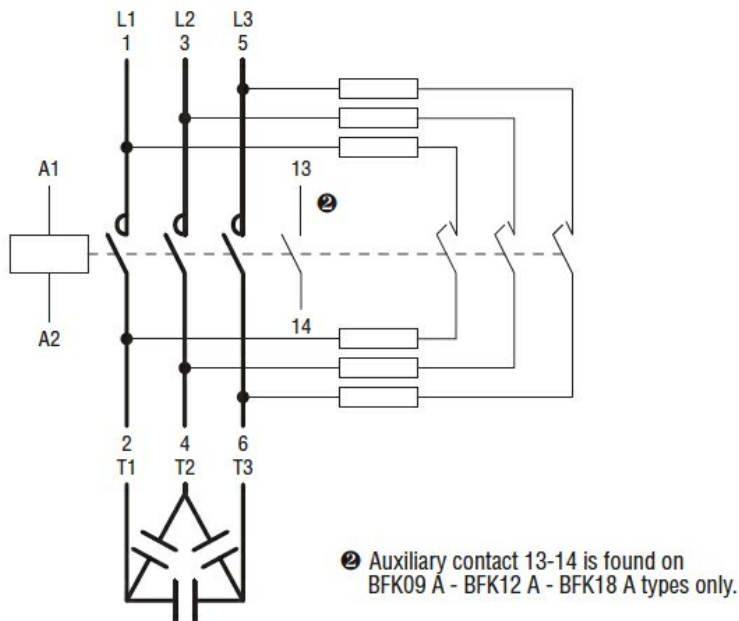
Product designation				Power contactor
Product type designation				BFK95
Contact characteristics				
Number of poles	nr.			3
Rated insulation voltage U_i IEC/EN	V			1000
Rated impulse withstand voltage U_{imp}	kV			8
Operational frequency	min	Hz	25	
	max	Hz	400	
IEC Conventional free air thermal current I_{th}	A			140
Operational current I_e	AC-4 (400V)		A	45
	230V	kvar	34	
Rated operational power AC-6b ($T \leq 40^\circ C$)	400V	kvar	60	
	500V	kvar	75	
	690V	kvar	80	
			A	760
Short-time allowable current for 10s (IEC/EN60947-1)	A			760
Protection fuse	gG (IEC)	A	160	
	aM (IEC)	A	100	
Making capacity (RMS value)	A			1200
Breaking capacity at voltage	440V	A	1100	
	500V	A	775	
	690V	A	745	
Resistance per pole (average value)	m Ω			0.45
Power dissipation per pole (average value)	I_{th}	W	8.8	
	AC3	W	4.1	
Tightening torque for terminals	min	Nm	6	
	max	Nm	7	
	min	lbin	4.4	
	max	lbin	5.2	
Tightening torque for coil terminal	min	Nm	0.8	
	max	Nm	1	
	min	lbft	0.59	
	max	lbft	0.74	
Conductor section	Flexible w/o lug conductor section			
	min	mm ²	1.5	
	max	mm ²	70	
	Flexible c/w lug conductor section			

	min	mm ²	1.5
	max	mm ²	70
Power terminal protection according to IEC/EN 60529			IP20 front
Mechanical features			
Operating position	normal allowable	vertical plan	±30°
Fixing		Screw / DIN rail	35mm
Weight		g	2095
Auxiliary contact characteristics			
Thermal current I _{th}		A	140
Operations			
Mechanical life		cycles	15000000
Electrical life		cycles	400000
AC coil operating			
Rated AC voltage at 50/60Hz, 60Hz	min	V	12
	max	V	600
AC operating voltage			
of 50/60Hz coil powered at 50Hz			
pick-up	max	%Us	110
drop-out	min	%Us	20
	max	%Us	55
of 50/60Hz coil powered at 60Hz			
pick-up	min	%Us	85
	max	%Us	110
drop-out	min	%Us	40
	max	%Us	55
Dissipation at holding ≤20°C 50Hz		W	6.5
Max cycles frequency			
Mechanical operations		cycles/h	1500
Operating times			
Average time for U _s control			
in AC			
Closing NO	min	ms	16
	max	ms	32
Opening NO	min	ms	9
	max	ms	24
Ambient conditions			
Temperature			
Operating temperature	min	°C	-50
	max	°C	70
Storage temperature	min	°C	-60
	max	°C	+80
Max altitude		m	3000

Dimensions



Wiring diagrams



Certifications and compliance

Compliance

CSA C22.2 n° 60947-1
 CSA C22.2 n° 60947-4-1
 IEC/EN 60947-1
 IEC/EN 60947-4-1
 UL 60947-1
 UL 60947-4-1

Certificates

CCC
 cULus

ETIM 6 classification

EC000066 - Power contactor, AC switching