



Product designation	Power contactor		
Product type designation	BFK26		
Contact characteristics			
Number of poles	nr.	3	
Rated insulation voltage U_i IEC/EN	V	690	
Rated impulse withstand voltage U_{imp}	kV	6	
Operational frequency	min	Hz	25
	max	Hz	400
IEC Conventional free air thermal current I_{th}	A	45	
Operational current I_e	AC-3 ($\leq 440V \leq 55^\circ C$)	A	26
	AC-4 (400V)	A	11.5
Rated operational power AC-6b ($T \leq 40^\circ C$)	230V	kvar	11
	400V	kvar	20
	500V	kvar	22
	690V	kvar	25
Short-time allowable current for 10s (IEC/EN60947-1)	A	210	
Protection fuse	gG (IEC)	A	50
	aM (IEC)	A	32
Making capacity (RMS value)	A	260	
Breaking capacity at voltage	440V	A	208
	500V	A	184
	690V	A	168
Resistance per pole (average value)	m Ω	2	
Power dissipation per pole (average value)	I_{th}	W	4
	AC3	W	1.4
Tightening torque for terminals	min	Nm	2.5
	max	Nm	3
	min	I_{bin}	1.8
	max	I_{bin}	2.2
Tightening torque for coil terminal	min	Nm	0.8
	max	Nm	1
	min	I_{bft}	0.59
	max	I_{bft}	0.74
Max number of wires simultaneously connectable	nr.	2	
Conductor section	Flexible w/o lug conductor section		
	min	mm ²	2.5

	max	mm ²	16
Flexible c/w lug conductor section	min	mm ²	1
	max	mm ²	10
Flexible with insulated spade lug conductor section	min	mm ²	1
	max	mm ²	10
Power terminal protection according to IEC/EN 60529			IP20
Mechanical features			
Operating position			
	normal allowable		vertical plan ±30°
Fixing			Screw / DIN rail 35mm
Weight		g	400
Operations			
Mechanical life		cycles	20000000
Electrical life		cycles	1600000
Safety related data			
Performance level B10d according to EN/ISO 13489-1			
	rated load mechanical load	cycles	400000
		cycles	20000000
Mirror contacts according to IEC/EN 60947-4-1			true
EMC compatibility			true
AC coil operating			
Rated AC voltage at 50/60Hz, 60Hz	min	V	12
	max	V	600
AC operating voltage			
of 50/60Hz coil powered at 50Hz			
pick-up			
	max	%Us	110
drop-out			
	min	%Us	20
	max	%Us	55
of 50/60Hz coil powered at 60Hz			
pick-up			
	min	%Us	85
	max	%Us	110
drop-out			
	min	%Us	20
	max	%Us	55
AC operating voltage at 20°C			
of 50/60Hz coil powered at 50Hz			
	in-rush holding	VA	75
		VA	9
of 50/60Hz coil powered at 60Hz			
	in-rush holding	VA	70
		VA	7
of 60Hz coil powered at 60Hz			
	in-rush holding	VA	75
		VA	9
Dissipation at holding ≤20°C 50Hz		W	2.5
Max cycles frequency			

Mechanical operations cycles/h 3600

Operating times

Average time for Us control

in AC

Closing NO	min	ms	8
	max	ms	24
Opening NO	min	ms	5
	max	ms	15
Closing NC	min	ms	9
	max	ms	20
Opening NC	min	ms	9
	max	ms	17

in DC

Closing NO	min	ms	53
	max	ms	65
Opening NO	min	ms	14
	max	ms	18
Closing NC	min	ms	23
	max	ms	28
Opening NC	min	ms	46
	max	ms	56

UL technical data

Full-load current (FLA) for three-phase AC motor

at 480V	A	21
at 600V	A	22

Yielded mechanical performance

for single-phase AC motor

110/120V	hp	2
230V	hp	5

for three-phase AC motor

200/208V	hp	7.5
220/230V	hp	7.5
460/480V	hp	15
575/600V	hp	20

Contact rating of auxiliary contacts according to UL

SI - A600

General USE

Auxiliary contacts

AC voltage	V	600
AC current	A	10
DC voltage	V	250
DC current	A	1

Ambient conditions

Temperature

Operating temperature

min	°C	-50
max	°C	70

Storage temperature

min	°C	-60
max	°C	80

Max altitude

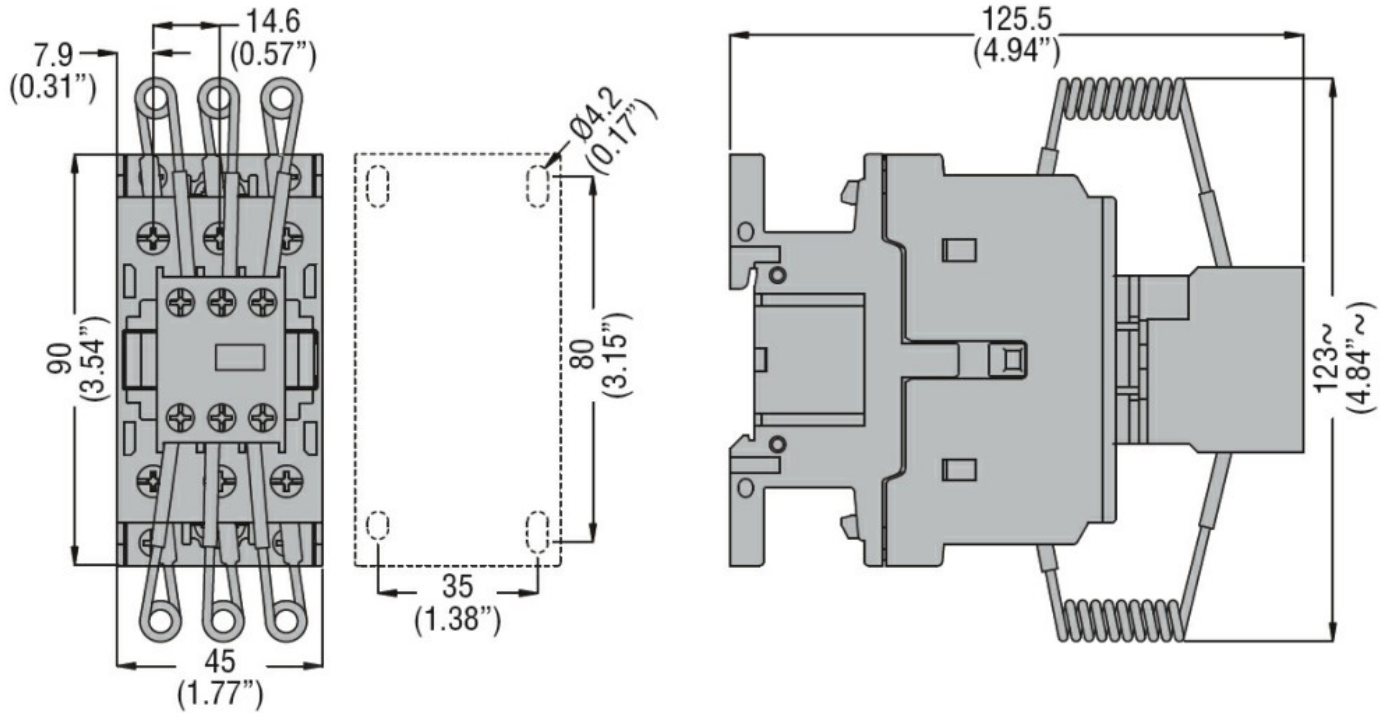
m	3000
---	------

Resistance & Protection

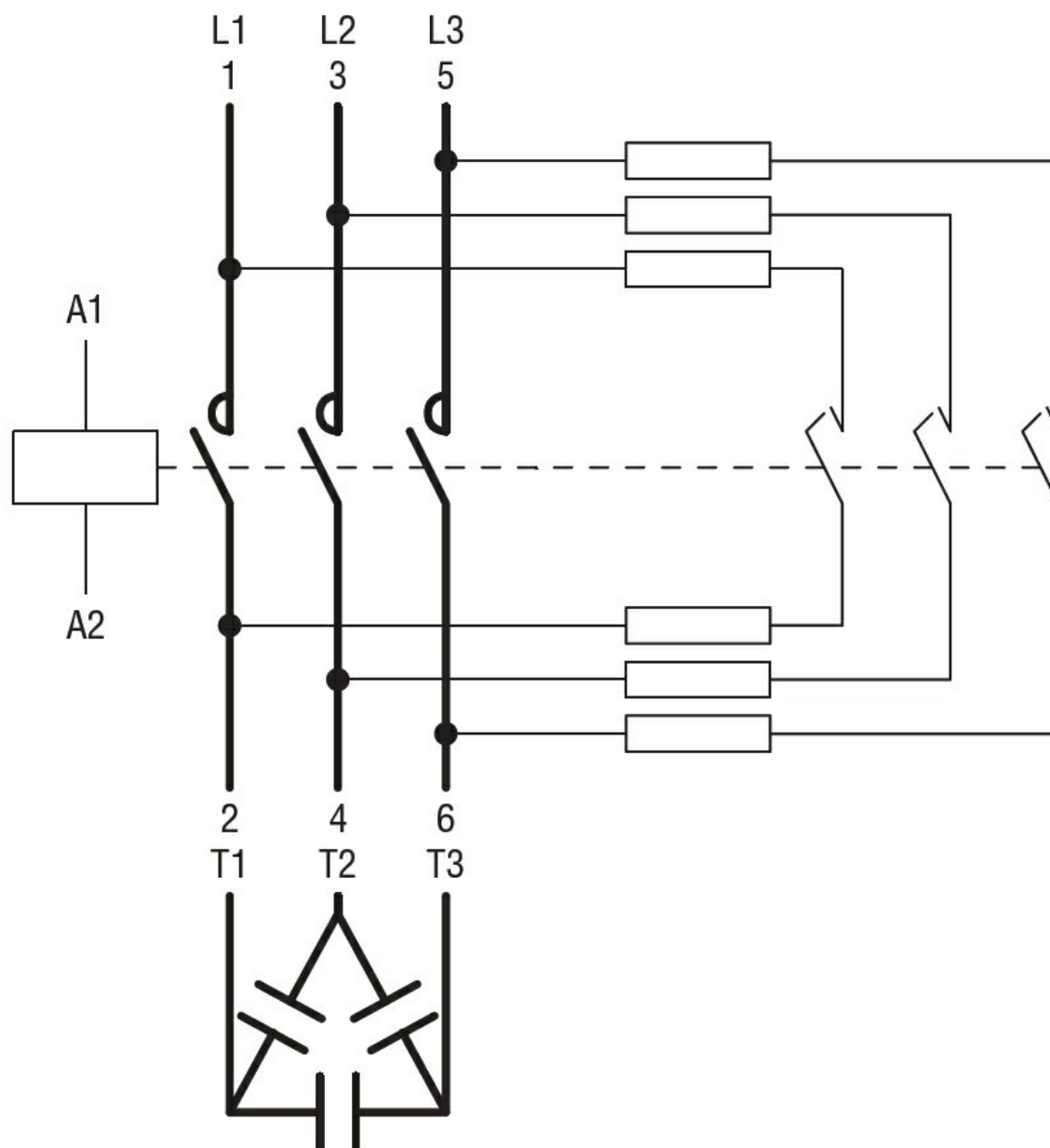
Pollution degree

3

Dimensions



Wiring diagrams



Certifications and compliance

Compliance

CSA C22.2 n° 60947-1
CSA C22.2 n° 60947-4-1
IEC/EN 60947-1
IEC/EN 60947-4-1
UL 60947-1
UL 60947-4-1

Certificates

CCC
cULus
EAC

ETIM 6 classification

EC000066 - Power contactor, AC switching