



Product designation	Power contactor		
Product type designation	B630		
Contact characteristics			
Number of poles	nr.	3	
Rated insulation voltage U_i IEC/EN	V	1000	
Rated impulse withstand voltage U_{imp}	kV	8	
Operational frequency	min	Hz	25
	max	Hz	400
IEC Conventional free air thermal current I_{th}	A	800	
Operational current I_e	AC-1 ($\leq 40^\circ\text{C}$)	A	800
	AC-1 ($\leq 55^\circ\text{C}$)	A	130
	AC-3 ($\leq 440\text{V} \leq 55^\circ\text{C}$)	A	630
	AC-4 (400V)	A	210
Rated operational power AC-3 ($T \leq 55^\circ\text{C}$)	230V	kW	198
	400V	kW	355
	415V	kW	368
	440V	kW	368
	500V	kW	368
	690V	kW	440
Rated operational power AC-1 ($T \leq 40^\circ\text{C}$)	230V	kW	288
	400V	kW	500
	500V	kW	655
	690V	kW	860
Short-time allowable current for 10s (IEC/EN60947-1)	A	5040	
Protection fuse	gG (IEC)	A	1000
	aM (IEC)	A	630
Making capacity (RMS value)	A	6300	
Breaking capacity at voltage	440V	A	6300
	500V	A	5600
	690V	A	5000
Resistance per pole (average value)	m Ω	0.14	
Power dissipation per pole (average value)	I_{th}	W	90
	AC3	W	56
Tightening torque for terminals	min	Nm	55
	max	Nm	55
	min	lbin	40.6

	max	lbin	40.6
Tightening torque for coil terminal	min	Nm	1
	max	Nm	1
	min	lbft	0.74
	max	lbft	0.74
Max number of wires simultaneously connectable	nr.		2
Power terminal protection according to IEC/EN 60529			IP00
Mechanical features			
Operating position	normal allowable	vertical plan ±30°	
Fixing		Screw	
Weight		g	1836
Operations			
Mechanical life		cycles	5000000
Electrical life		cycles	700000
Safety related data			
Performance level B10d according to EN/ISO 13489-1	rated load	cycles	700000
	mechanical load	cycles	5000000
Mirror contacts according to IEC/EN 60947-4-1			yes
EMC compatibility			yes
AC coil operating			
Rated AC voltage at 50/60Hz, 60Hz	min	V	48
	max	V	480
AC operating voltage			
of 50/60Hz coil powered at 50Hz			
pick-up	min	%Us	80
	max	%Us	110
drop-out	min	%Us	20
	max	%Us	60
of 50/60Hz coil powered at 60Hz			
pick-up	min	%Us	80
	max	%Us	110
drop-out	min	%Us	20
	max	%Us	60
of 60Hz coil powered at 60Hz			
pick-up	min	%Us	80
	max	%Us	110
drop-out	min	%Us	20
	max	%Us	60
AC operating voltage at 20°C			
of 50/60Hz coil powered at 50Hz			
	in-rush	VA	400
	holding	VA	18

of 50/60Hz coil powered at 60Hz

	in-rush	VA	400
	holding	VA	18
Dissipation at holding $\leq 20^{\circ}\text{C}$ 50Hz		W	18

DC coil operating

DC rated control voltage	min	V	24
--------------------------	-----	---	----

DC operating voltage	pick-up	min	%Us	80
		max	%Us	110
	drop-out	min	%Us	20
		max	%Us	60

Average coil consumption $\leq 20^{\circ}\text{C}$	in-rush	W	400
	holding	W	18

Max cycles frequency

Mechanical operations	cycles/h	1200
-----------------------	----------	------

Operating times

Average time for Us control				
in AC				
Closing NO	min	ms	110	
	max	ms	180	
	Opening NO	min	ms	60
		max	ms	100
in DC				
Closing NO	min	ms	110	
	max	ms	180	
	Opening NO	min	ms	60
		max	ms	100

UL technical data

General USE			
Contactor			
	AC current	A	800

Ambient conditions

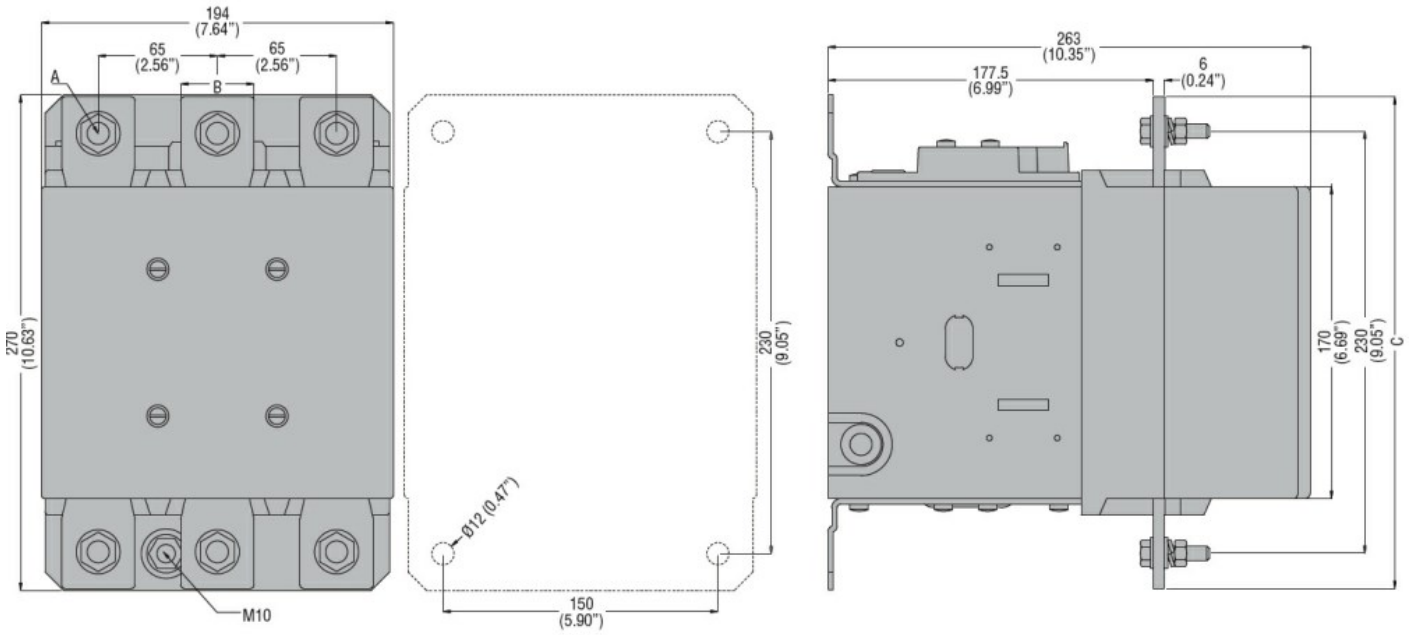
Temperature			
Operating temperature			
	min	$^{\circ}\text{C}$	-50
	max	$^{\circ}\text{C}$	70
Storage temperature			
	min	$^{\circ}\text{C}$	-60
	max	$^{\circ}\text{C}$	80

Max altitude	m	3000
--------------	---	------

Resistance & Protection

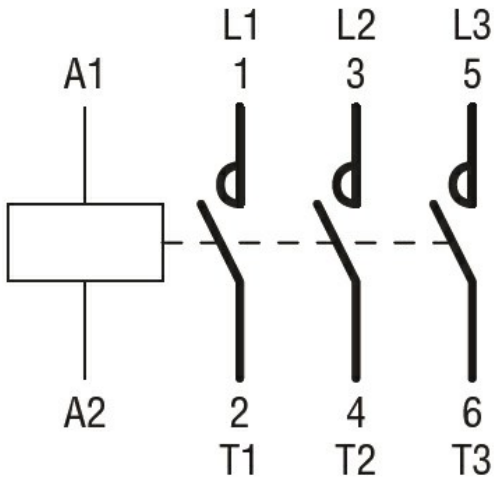
Pollution degree	3
------------------	---

Dimensions



CONTACTOR TYPE	A	B	C
B500	M10	35 (1.38")	265 (10.43")
B630	M12	40 (1.57")	270 (10.63")

Wiring diagrams



Certifications and compliance

Compliance

CSA C22.2 n° 60947-1
 CSA C22.2 n° 60947-4-1
 IEC/EN 60947-1
 IEC/EN 60947-4-1
 UL 60947-1
 UL 60947-4-1

Certificates

CCC
 cULus
 EAC

ETIM 6 classification

EC000066 - Power contactor, AC switching