



| | | | | |
|--|---|------|------|-----------------|
| Product designation | | | | Power contactor |
| Product type designation | | | | BG09 |
| Contact characteristics | | | | |
| Number of poles | nr. | | | 3 |
| Rated insulation voltage U_i IEC/EN | V | | | 690 |
| Rated impulse withstand voltage U_{imp} | kV | | | 6 |
| Operational frequency | min | Hz | 25 | |
| | max | Hz | 400 | |
| IEC Conventional free air thermal current I_{th} | A | | | 20 |
| Operational current I_e | AC-1 ($\leq 40^\circ\text{C}$) | A | 20 | |
| | AC-3 ($\leq 440\text{V} \leq 55^\circ\text{C}$) | A | 9 | |
| | AC-4 (400V) | A | 4 | |
| Rated operational power AC-3 ($T \leq 55^\circ\text{C}$) | 230V | kW | 2.2 | |
| | 400V | kW | 4 | |
| | 415V | kW | 4.3 | |
| | 440V | kW | 4.5 | |
| | 500V | kW | 5 | |
| | 690V | kW | 5 | |
| Rated operational power AC-1 ($T \leq 40^\circ\text{C}$) | 230V | kW | 8 | |
| | 400V | kW | 14 | |
| | 500V | kW | 16 | |
| | 690V | kW | 22 | |
| Short-time allowable current for 10s (IEC/EN60947-1) | A | | | 96 |
| Protection fuse | gG (IEC) | A | 20 | |
| | aM (IEC) | A | 10 | |
| Making capacity (RMS value) | A | | | 92 |
| Breaking capacity at voltage | 440V | A | 72 | |
| | 500V | A | 72 | |
| | 690V | A | 72 | |
| Resistance per pole (average value) | m Ω | | | 10 |
| Power dissipation per pole (average value) | I_{th} | W | 4 | |
| | AC3 | W | 0.81 | |
| Tightening torque for terminals | min | Nm | 0.8 | |
| | max | Nm | 1 | |
| | min | lbin | 0.59 | |
| | max | lbin | 0.74 | |
| Tightening torque for coil terminal | | | | |

| | | | |
|---|---|-----------------------|-------------|
| | min | Nm | 0.8 |
| | max | Nm | 1 |
| | min | lbft | 0.8 |
| | max | lbft | 0.74 |
| Max number of wires simultaneously connectable | | nr. | 2 |
| Conductor section | Flexible w/o lug conductor section | | |
| | min | mm ² | 0.75 |
| | max | mm ² | 2.5 |
| | Flexible c/w lug conductor section | | |
| | min | mm ² | 1.5 |
| | max | mm ² | 2.5 |
| | Flexible with insulated spade lug conductor section | | |
| | min | mm ² | 1.5 |
| | max | mm ² | 2.5 |
| Power terminal protection according to IEC/EN 60529 | IP20 when wired | | |
| Mechanical features | | | |
| Operating position | normal allowable | vertical plan ±30° | |
| Fixing | | Screw / DIN rail 35mm | |
| Weight | | g | 182 |
| Auxiliary contact characteristics | | | |
| Type of contact | | | 1 NO |
| Thermal current I _{th} | | A | 10 |
| IEC/EN 60947-5-1 designation | | | A600 - Q600 |
| Operating current AC15 | 230V | A | 3 |
| | 400V | A | 1.9 |
| | 500V | A | 1.4 |
| Operating current DC12 | 110V | A | 2.9 |
| Operating current DC13 | 24V | A | 2.9 |
| | 48V | A | 1.4 |
| | 60V | A | 1.2 |
| | 110V | A | 0.6 |
| | 125V | A | 0.55 |
| | 220V | A | 0.3 |
| | 600V | A | 0.1 |
| Operations | | | |
| Mechanical life | | cycles | 2000000 |
| Electrical life | | cycles | 500000 |
| Safety related data | | | |
| Performance level B10d according to EN/ISO 13489-1 | rated load | cycles | 500000 |
| | mechanical load | cycles | 20000000 |
| Mirror contacts according to IEC/EN 60947-4-1 | | | yes |
| EMC compatibility | | | Yes |
| AC coil operating | | | |
| Rated AC voltage at 50/60Hz, 60Hz | min | V | 12 |

| | | | | |
|--|---------------------------------|---------|----------|------|
| | | max | V | 575 |
| AC operating voltage | | | | |
| | of 50/60Hz coil powered at 50Hz | | | |
| | pick-up | min | %Us | 75 |
| | | max | %Us | 115 |
| | drop-out | min | %Us | 20 |
| | | max | %Us | 55 |
| | of 50/60Hz coil powered at 60Hz | | | |
| | pick-up | min | %Us | 80 |
| | | max | %Us | 115 |
| | drop-out | min | %Us | 20 |
| | | max | %Us | 55 |
| AC operating voltage at 20°C | | | | |
| | of 50/60Hz coil powered at 50Hz | | | |
| | | in-rush | VA | 30 |
| | | holding | VA | 4 |
| | of 50/60Hz coil powered at 60Hz | | | |
| | | in-rush | VA | 25 |
| | | holding | VA | 3 |
| | of 60Hz coil powered at 60Hz | | | |
| | | in-rush | VA | 30 |
| | | holding | VA | 4 |
| Dissipation at holding ≤20°C 50Hz | | | W | 0.95 |
| DC coil operating | | | | |
| DC rated control voltage | | | | |
| | | min | V | 6 |
| | | max | V | 250 |
| Average coil consumption ≤20°C | | | | |
| | | in-rush | W | 3.2 |
| | | holding | W | 3.2 |
| Max cycles frequency | | | | |
| Mechanical operations | | | cycles/h | 3600 |
| Operating times | | | | |
| Average time for Us control | | | | |
| | in AC | | | |
| | Closing NO | min | ms | 12 |
| | | max | ms | 21 |
| | Opening NO | min | ms | 9 |
| | | max | ms | 18 |
| | Closing NC | min | ms | 17 |
| | | max | ms | 26 |
| | Opening NC | min | ms | 7 |
| | | max | ms | 17 |
| | in DC | | | |
| | Closing NO | min | ms | 18 |

| | | | |
|------------|-----|----|----|
| Opening NO | max | ms | 25 |
| | min | ms | 2 |
| Closing NC | max | ms | 3 |
| | min | ms | 3 |
| Opening NC | max | ms | 5 |
| | min | ms | 11 |
| | max | ms | 17 |

UL technical data

Full-load current (FLA) for three-phase AC motor

| | | |
|---------|---|-----|
| at 480V | A | 7.6 |
| at 600V | A | 6.1 |

Yielded mechanical performance

for single-phase AC motor

| | | |
|----------|----|-----|
| 110/120V | hp | 0.5 |
| 230V | hp | 1.5 |

for three-phase AC motor

| | | |
|----------|----|---|
| 200/208V | hp | 2 |
| 220/230V | hp | 3 |
| 460/480V | hp | 5 |
| 575/600V | hp | 5 |

Contact rating of auxiliary contacts according to UL

A600 - Q600

General USE

Contactor

| | | |
|------------|---|----|
| AC current | A | 20 |
|------------|---|----|

Ambient conditions

Temperature

Operating temperature

| | | |
|-----|----|-----|
| min | °C | -40 |
| max | °C | 60 |

Storage temperature

| | | |
|-----|----|-----|
| min | °C | -55 |
| max | °C | 70 |

Max altitude

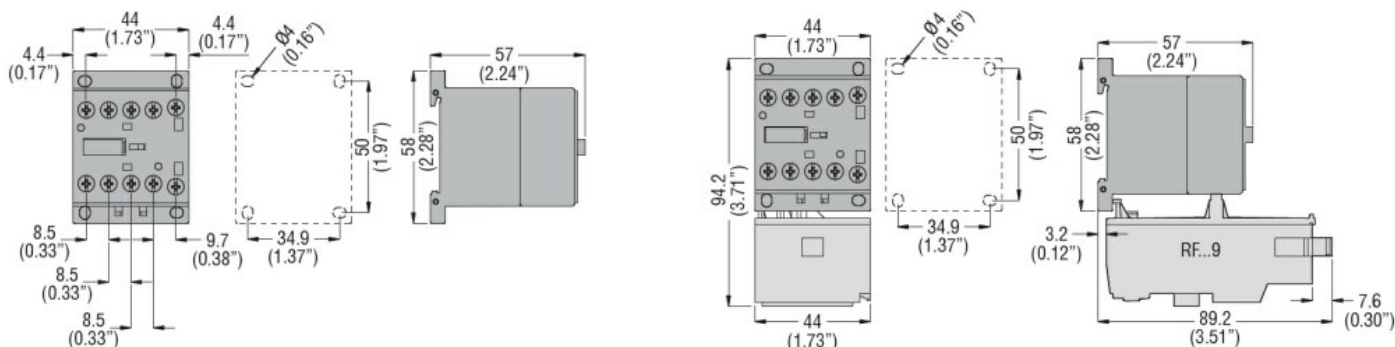
m 3000

Resistance & Protection

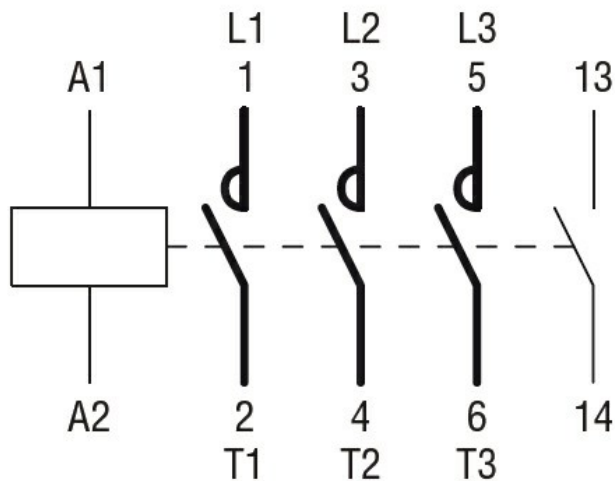
Pollution degree

3

Dimensions



Wiring diagrams



Certifications and compliance

Compliance

CSA C22.2 n° 60947-1

CSA C22.2 n° 60947-4-1

IEC/EN 60947-1

IEC/EN 60947-4-1

UL 60947-1

UL 60947-4-1

Certificates

CCC

cULus

EAC

ETIM 6 classification

EC000066 - Power contactor, AC switching