



Motor protective circuit  
breaker  
SM1P

Product designation

Product type designation

**Electrical features**

Number of poles	nr.	3
Magnetic protection		yes
Thermal protection		yes
Phase failure detection		Yes
Rated insulation voltage $U_i$ IEC/EN	V	690
Rated impulse withstand voltage $U_{imp}$	kV	6
Rated frequency	Hz	50/60
Thermal trip adjustment range		6.3...10
Rated current ( $I_n$ )	A	10
Magnetic tripping		13 x $I_n$
Total power dissipation	W	2.61

Operational short-circuit current breaking capacity ( $I_{cs}$ ) at AC

230V	kA	100
400V	kA	100
440V	kA	13
500V	kA	13
690V	kA	3

Maximum short-circuit current breaking capacity ( $I_{cu}$ ) at AC

230V	kA	100
400V	kA	100
440V	kA	25
500V	kA	25
690V	kA	3

Tripping class		10A
IEC Utilization category		A

**Operations**

Mechanical life	cycles	100000
Electrical life	cycles	100000

**Mechanical features**

Tightening torque for terminals	min	Nm	2.5
	max	Nm	3
	min	lbin	1.8
	max	lbin	2.2

Max number of wires simultaneously connectable	nr.	2
--	-----	---

Conductor section	AWG/Kcmil	min		16
		max		8
	Flexible w/o lug conductor section	min	mm <sup>2</sup>	1
		max	mm <sup>2</sup>	1
	Flexible c/w lug conductor section	min	mm <sup>2</sup>	1
		max	mm <sup>2</sup>	1

Screwdriver		PH2
-------------	--	-----

Power terminal protection according to IEC/EN 60529		IP20
---	--	------

Cable stripping length	main circuit	mm	1
------------------------	--------------	----	---

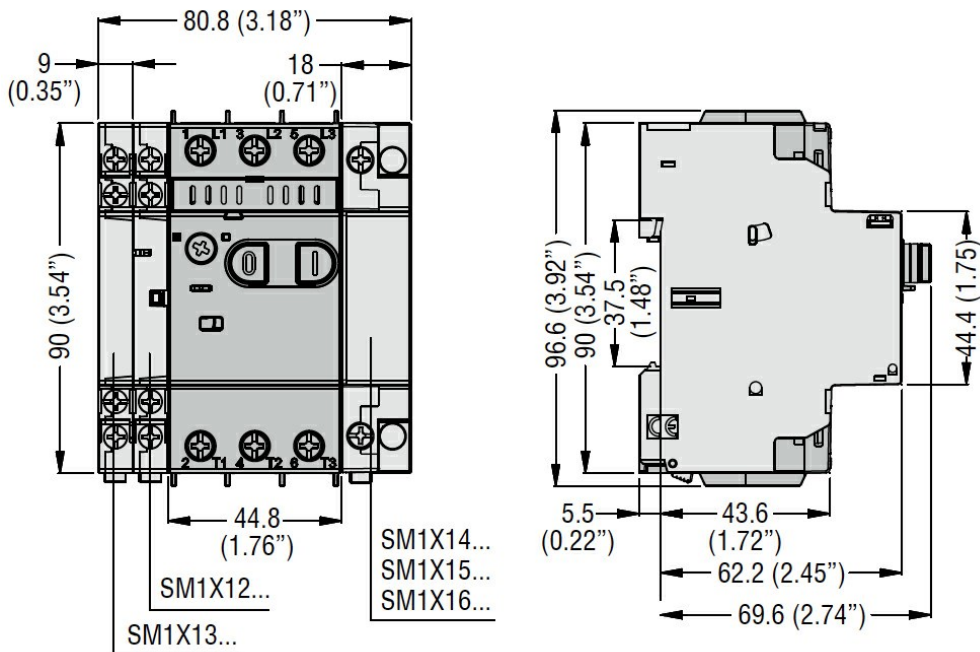
**Ambient conditions**

Temperature	Operating temperature	min	°C	-20	
		max	°C	60	
		Storage temperature	min	°C	-50
			max	°C	80
	Compensation temperature		min	°C	-20
			max	°C	50

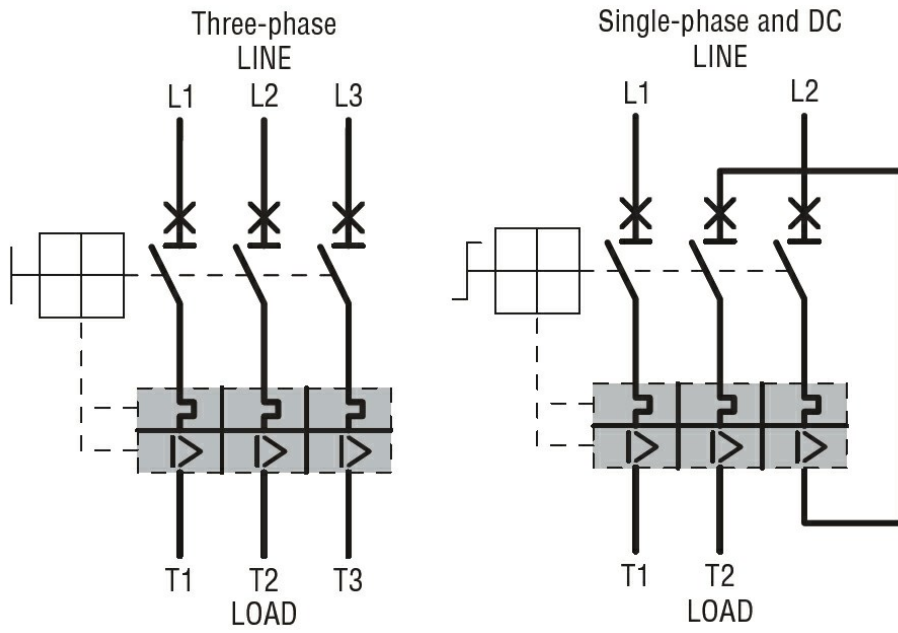
Max altitude		m	3000
--------------	--	---	------

Operating position	normal allowable		Vertical plan Any
Fixing			Screw / DIN rail 35mm
Weight		g	350
<b>UL technical data</b>			
UL508 / UL60947-4-1 Manual Motor Controller - Short circuit current			
Motor Disconnect	at 240V at 480V at 600V protection	kA kA kA	30 30 30 100A class J
Group Motor Installation			
	at 240V at 480V at 600V protection	kA kA kA	30 30 30 100A class J
Tap Conductor Protection			
	at 480Y/277V at 600Y/347V	kA kA	50 50
UL508 / UL 60947-4-1 Manual Self Protected Combination Motor Controller (Type E) Short circuit current			
	UL508 / UL 60947-4-1 Manual Self Protected Combination Motor Controller (Type E) Short-circuit cur	50	
	UL508 / UL 60947-4-1 Manual Self Protected Combination Motor Controller (Type E) Short-circuit cur	50	
	UL508 / UL 60947-4-1 Manual Self Protected Combination Motor Controller (Type E) Short-circuit cur	50	
Maximum UL/CSA horsepower ratings single-phase			
	at 110V-120V at 220V-240V	hp hp	1/2 1.5
Maximum UL/CSA horsepower ratings three-phase, 3-pole			
	at 200V-208V at 220V-240V at 440V-480V at 550V-600V	hp hp hp hp	2 3 5 7.5

**Dimensions**



**Wiring diagrams**



**Certifications and compliance**

Certifications

CSA C22.2 n° 14  
IEC/EN 60947-1  
IEC/EN 60947-2  
IEC/EN 60947-4-1  
UL508

Compliance

cULus  
EAC

**ETIM 6 classification**