



## Main

|                               |  |
|-------------------------------|--|
| Range of product              | Telemecanique Photoelectric sensors XU |
| Series name                   | General purpose multimode              |
| Electronic sensor type        | Photo-electric sensor transmitter      |
| Sensor name                   | XUM                                    |
| Sensor design                 | Miniature                              |
| Detection system              | Thru beam                              |
| Material                      | Plastic                                |
| Supply circuit type           | DC                                     |
| Wiring technique              | 3-wire                                 |
| Electrical connection         | 1 male connector M8, 4 pins            |
| Product specific application  | -                                      |
| Emission                      | Infrared thru beam                     |
| [Sn] nominal sensing distance | 10 m thru beam need a receiver         |

## Complementary

|                           |   |
|---------------------------|---|
| Enclosure material        | PBT   |
| Lens material             | PMMA  |
| Maximum sensing distance  | 14 m thru beam                                    |
| Add on input              | Test by emission breaking                         |
| Status LED                | 1 LED (green) for supply on                       |
| [Us] rated supply voltage | 12...24 V DC with reverse polarity protection     |
| Supply voltage limits     | 10...36 V DC                                      |
| Switching capacity in mA  | <= 100 mA (overload and short-circuit protection) |
| Switching frequency       | <= 250 Hz   |
| Maximum voltage drop      | <1.5 V (closed state)                             |
| Current consumption       | 20 mA no-load                                     |
| Maximum delay first up    | 100 ms  |
| Maximum delay response    | 2 ms  |
| Maximum delay recovery    | 2 ms  |
| Setting-up                | Self-teaching                                     |
| Depth                     | 20 mm   |
| Height                    | 45 mm   |
| Width                     | 12 mm   |
| Net weight                | 0.035 kg  |

## Environment

|                                       |   |
|---------------------------------------|---|
| Product certifications                | UL[RETURN]CSA[RETURN]CE   |
| Ambient air temperature for operation | -25...55 °C   |
| Ambient air temperature for storage   | -40...70 °C   |
| Vibration resistance                  | 7 gn, amplitude = +/- 1.5 mm (f = 10...55 Hz) conforming to IEC 60068-2-6 |
| Shock resistance                      | 30 gn (duration = 11 ms) conforming to IEC 60068-2-27                     |
| IP degree of protection               | IP67 conforming to IEC 60529  |

## Packing Units

|                              |           |
|------------------------------|-----------|
| Unit Type of Package 1       | PCE       |
| Number of Units in Package 1 | 1         |
| Package 1 Height             | 6.7 cm    |
| Package 1 Width              | 9.6 cm    |
| Package 1 Length             | 4.2 cm    |
| Package 1 Weight             | 37.0 g    |
| Unit Type of Package 2       | S02       |
| Number of Units in Package 2 | 44        |
| Package 2 Height             | 15 cm     |
| Package 2 Width              | 30 cm     |
| Package 2 Length             | 40 cm     |
| Package 2 Weight             | 1.976 kg  |
| Unit Type of Package 3       | P06       |
| Number of Units in Package 3 | 704       |
| Package 3 Height             | 75 cm     |
| Package 3 Width              | 40 cm     |
| Package 3 Length             | 80 cm     |
| Package 3 Weight             | 51.048 kg |

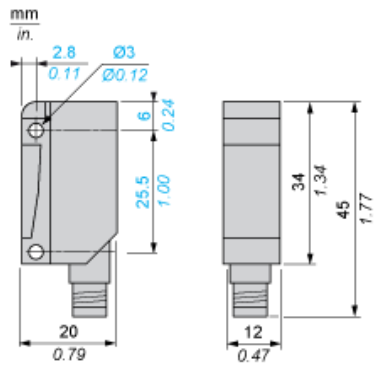
## Offer Sustainability

|  |   |
|--|---|
| Sustainable offer status                   | Green Premium product   |
| California proposition 65                  | WARNING: This product can expose you to chemicals including: Diisononyl phthalate (DINP), which is known to the State of California to cause cancer, and Di-isodecyl phthalate (DIDP), which is known to the State of California to cause birth defects or other reproductive harm. For more information go to <a href="http://www.P65Warnings.ca.gov">www.P65Warnings.ca.gov</a> |
| For all Reach Rohs enquiries contact us at | <a href="mailto:sustainability@tesensors.com">sustainability@tesensors.com</a>  |

## Contractual warranty

|          |           |
|----------|-----------|
| Warranty | 18 months |
|----------|-----------|

Dimensions

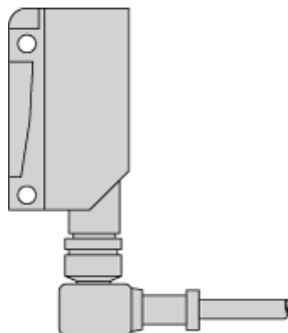


---

## Mounting and Clearance

---

### Possible Orientation of Elbowed Connector

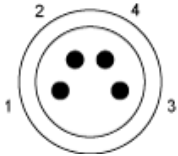


---

## Wiring Schemes

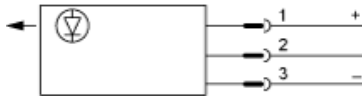
---

### M8 Connector



- 1 : (+)
- 2 : Beam break input (1)
- 3 : (-)
- 4 : OUT/Output
- (1) Beam break input on thru-beam transmitter only

### Thru-beam Function Transmitter



Input 2:

- not connected: beam made
- connected to -: beam broken

---

Detection Curves

---

With Thru-beam Accessory (Thru-beam)

