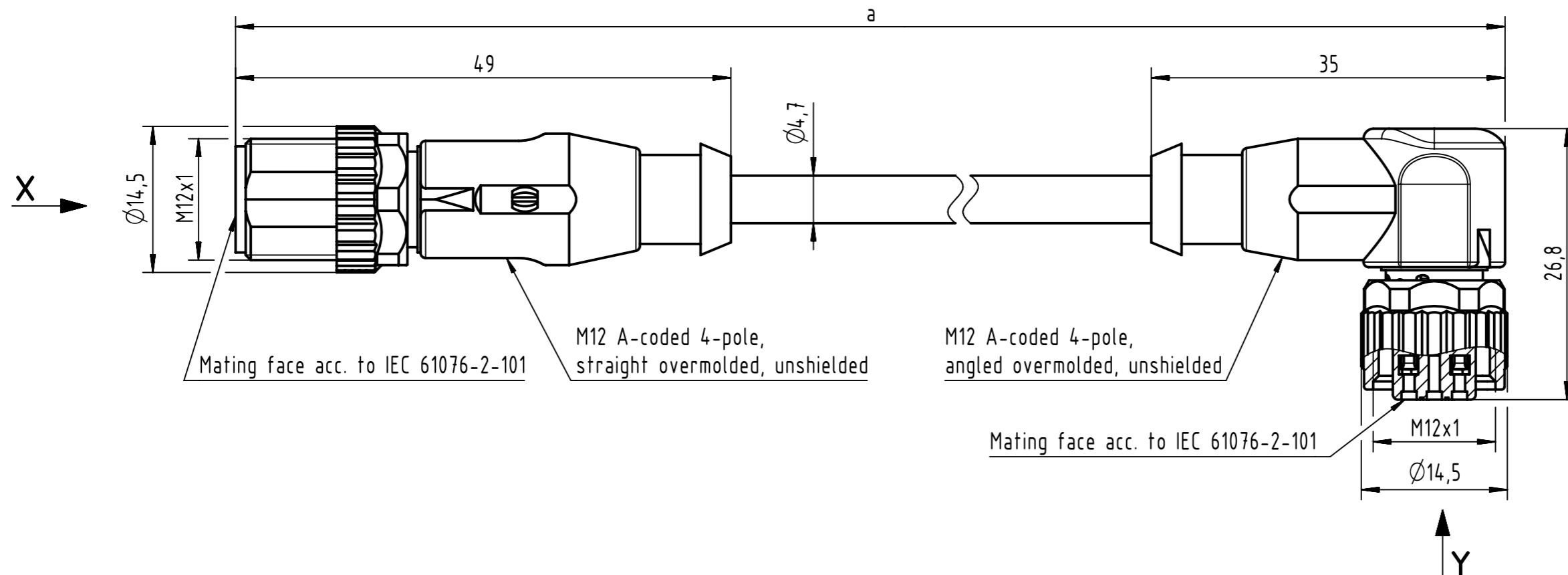


Connector Location A

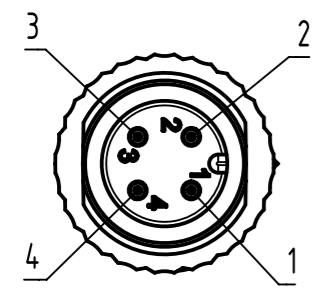
Connector Location B



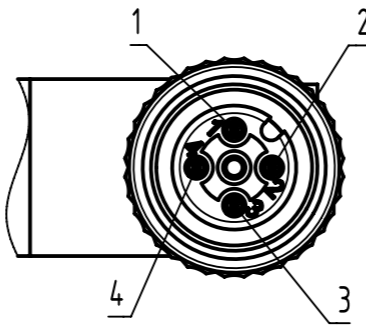
X male

Loading Plan

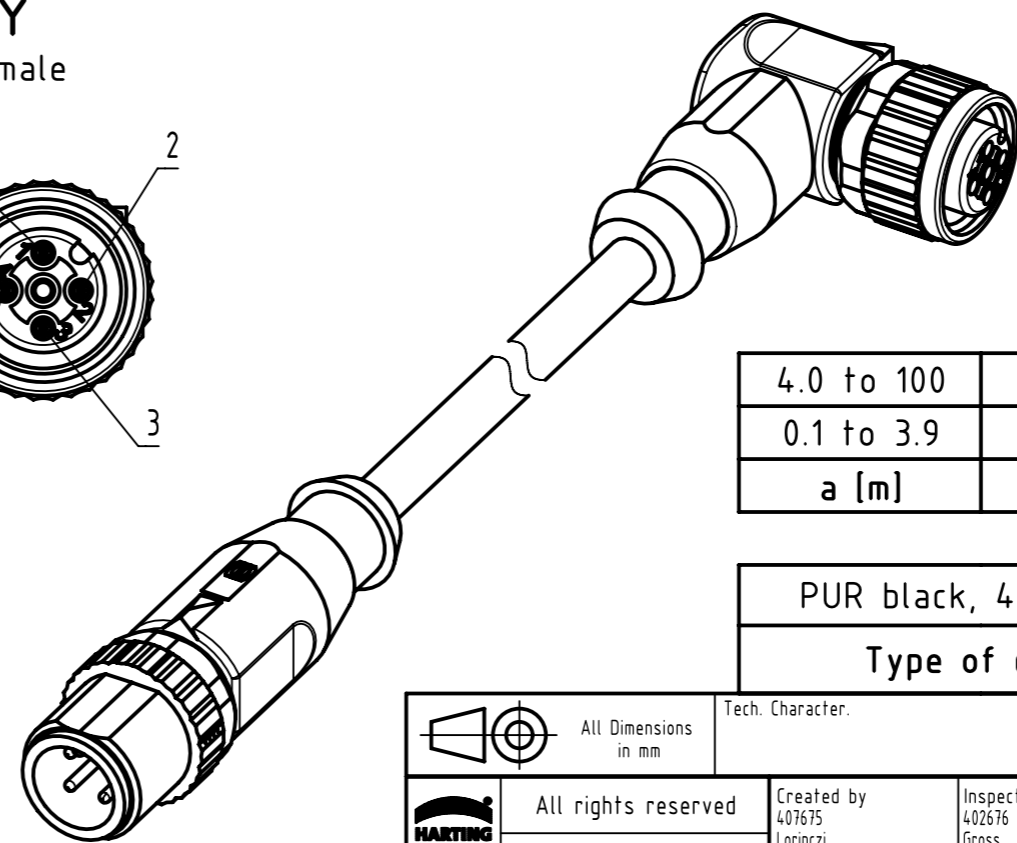
Y female



- 1 brown 1
- 2 white 2
- 3 blue 3
- 4 black 4



- Protection level: IP65/67
 - Temperature range: -25°C ... +80°C



4.0 to 100	±1%
0.1 to 3.9	+0.04
a [m]	Tolerance

length in "1m" step	100	XXX=000
	99	XXX=990
	.	.
	12	XXX=120
	11	XXX=110
length in "0.1m" step	10	XXX=100
	9.9	XXX=099
	9.8	XXX=098
	.	.
	0.4	XXX=004
	0.3	XXX=003
	0.2	XXX=002
0.1	XXX=001	
Step	a [m]	XXX

PUR black, 4x0.34mm ²	21348487491XXX
Type of cable	Part no.

All Dimensions in mm		Tech. Character.		Free size tol.		According to production drawing	
All rights reserved Department HCS - RO	Created by 407675 Lorinzi	Inspected by 402676 Gross	Standardisation MUNTEANV Muntean	Date 2023-06-09	State Final Release		Doc-Key / ECM-Nr. 100806544/UGD/009/B 50000238459
	Title M12 Cable Assembly A-cod st/an m/f			Rev. B		Page 1/1	
HARTING Customised Solutions D-32339 Espelkamp		Type TB	Number 21348487491XXX				