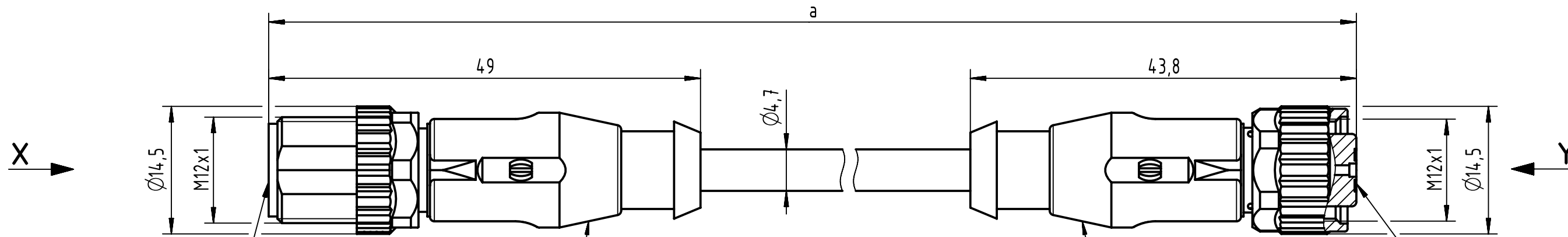


Connector Location A

Connector Location B

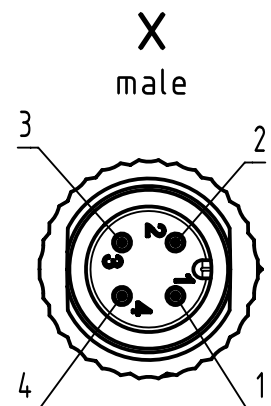


Mating face acc. to IEC 61076-2-101

M12 A-coded 4-pole, straight overmolded, unshielded
for technical details see DS 21035001004

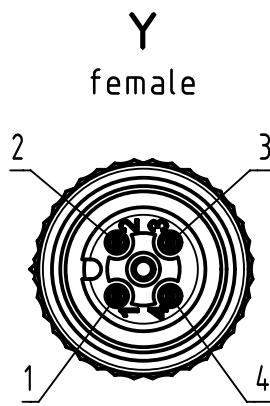
Mating face acc. to IEC 61076-2-101

M12 A-coded 4-pole, straight overmolded, unshielded
for technical details see DS 21035001005

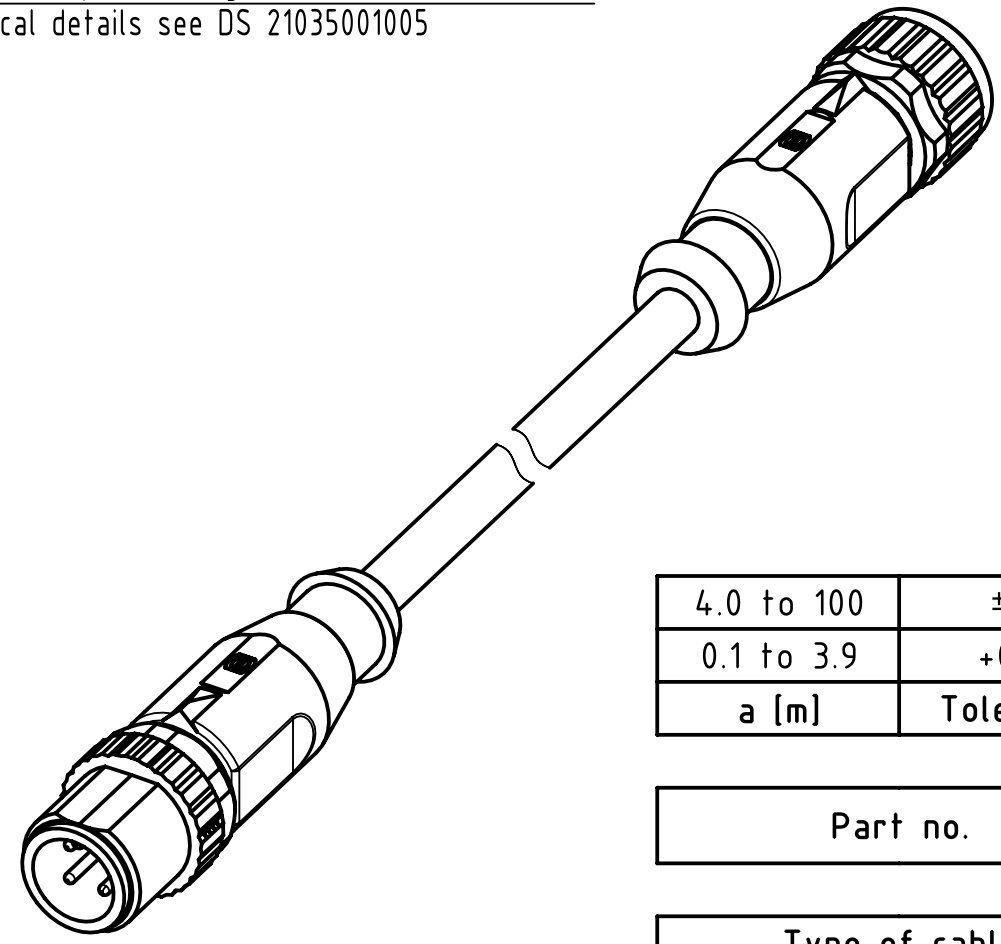


Loading Plan

- 1 — brown — 1
- 2 — white — 2
- 3 — blue — 3
- 4 — black — 4



Y female



length in "1m" step	100	XXX=000
	99	XXX=990
	12	XXX=120
	11	XXX=110
length in "0.1m" step	10	XXX=100
	9.9	XXX=099
	9.8	XXX=098
	0.4	XXX=004
	0.3	XXX=003
	0.2	XXX=002
0.1	XXX=001	
Step	a [m]	XXX

4.0 to 100	±1%
0.1 to 3.9	+0.04
a [m]	Tolerance

Part no.	213484854XXXXX
Type of cable	XX
PVC grey, 4x0.34mm ²	XX=84
PUR light grey, 4x0.34mm ²	XX=61

- Protection level: IP65/67
- Temperature range: -25°C ... +80°C

All rights reserved Department HCS - RO		Created by COSTEA Costea Inspected by 402676 Gross Standardisation MUNTEANV Muntean Date 2023-05-29 State Final Release		Tech. Character. Free size tol. According to production drawing	
HARTING Customised Solutions D-32339 Espelkamp		Title M12 Cable Assembly A-cod st/st m/f Type TB Number 213484854XXXXX		Doc-Key / ECM-Nr. 100578626/UGD/009/G 500000238681 Rev. G Page 1/1	