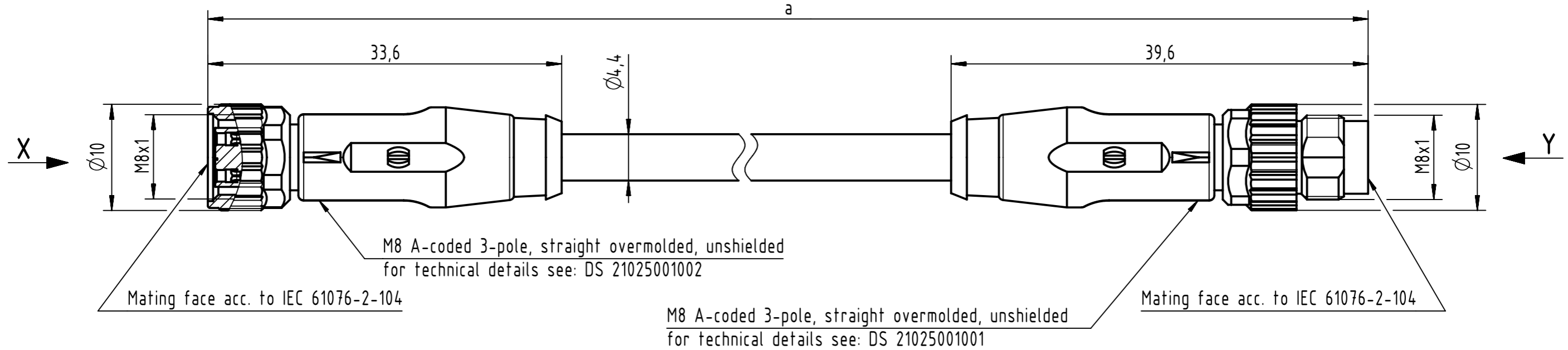


Connector Location A

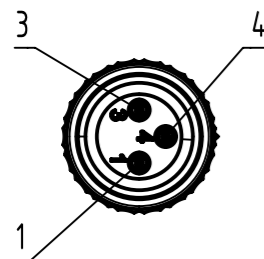
Connector Location B



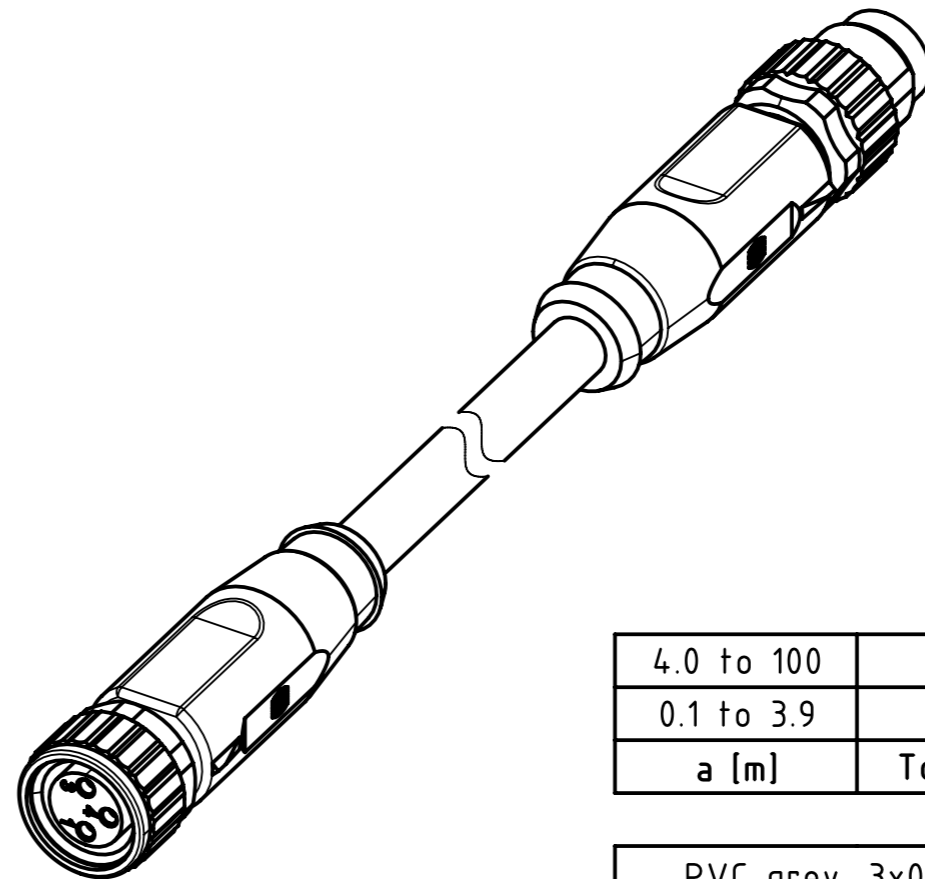
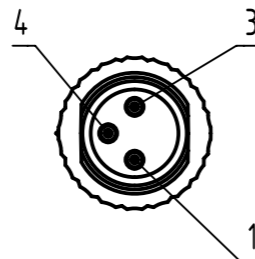
X
female

Y
male

Loading Plan



1	brown	1
3	blue	3
4	black	4



4.0 to 100	±1%
0.1 to 3.9	+0.04
a [m]	Tolerance

length in "1m" step	100	XXX=000
	99	XXX=990
	.	.
	12	XXX=120
	11	XXX=110
length in "0.1m" step	10	XXX=100
	9.9	XXX=099
	9.8	XXX=098
	.	.
	0.4	XXX=004
	0.3	XXX=003
	0.2	XXX=002
	0.1	XXX=001
Step	a [m]	XXX

- Protection level: IP67
- Temperature range: -25°C ... +80°C

PVC grey, 3x0.25mm ²	21348081380XXX
Type of cable	Part no.

	All rights reserved	Created by 407576 Stoica	Inspected by 402676 Gross	Standardisation MUNTEANV Muntean	Date 2023-03-15	State Final Release
	Department HCS - RO	Title M8 Cable Assembly 3-poles st/st f/m				Doc-Key / ECM-Nr. 100577987/UGD/009/E 50000238086
HARTING Customised Solutions D-32339 Espelkamp		Type TB	Number 21348081380XXX		Rev. E	Page 1/1