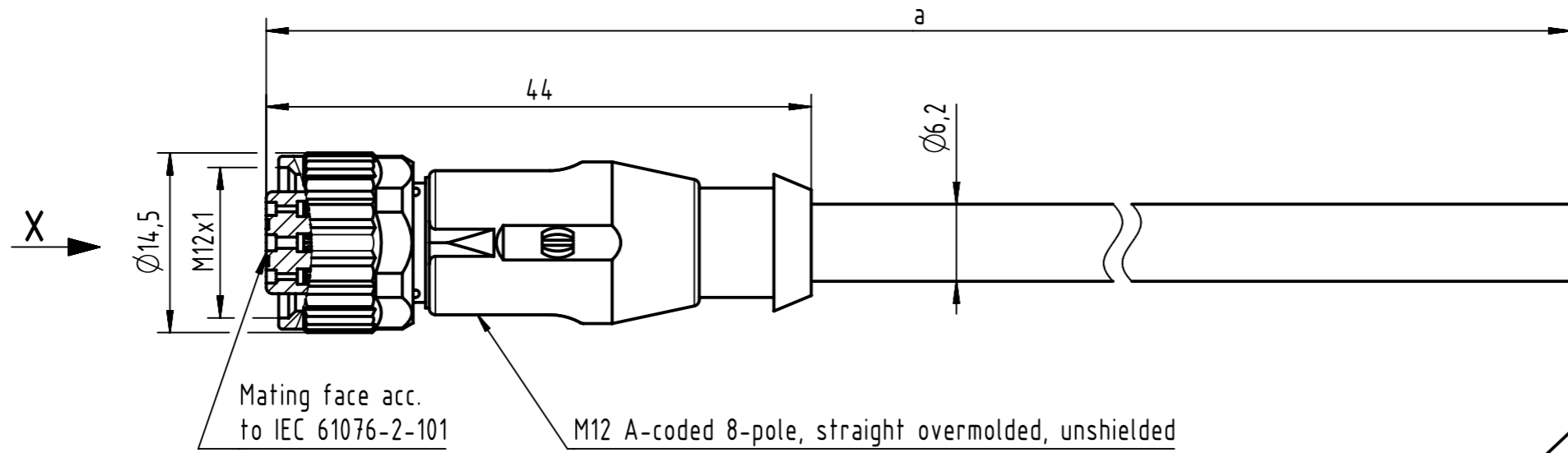


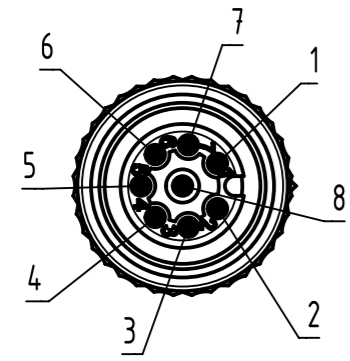
Connector Location A

Connector Location B

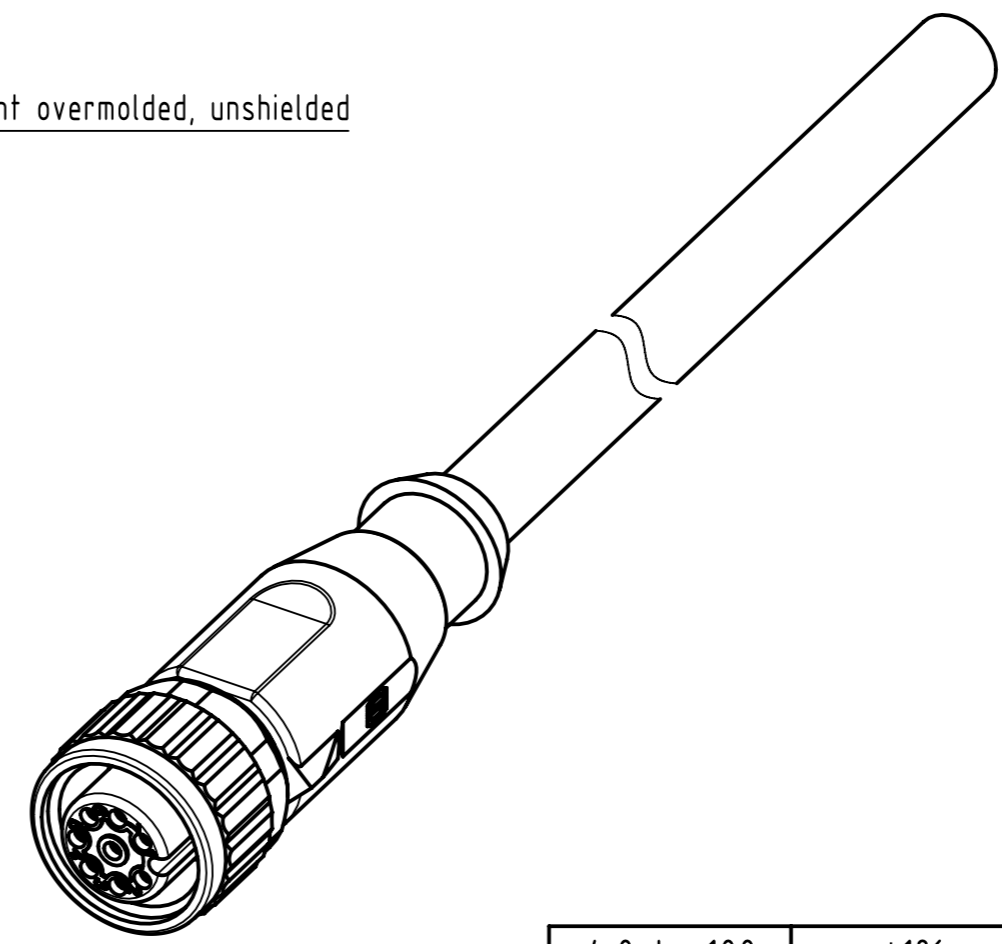


X female

Loading Plan



- 1 white
- 2 brown
- 3 green
- 4 yellow
- 5 grey
- 6 pink
- 7 blue
- 8 red



length in "1m" step	100	XXX=000
	99	XXX=990
	.	.
	12	XXX=120
length in "0.1m" step	11	XXX=110
	10	XXX=100
	9.9	XXX=099
	9.8	XXX=098
	.	.
	.	.
Step	0.4	XXX=004
	0.3	XXX=003
	0.2	XXX=002
	0.1	XXX=001
	a [m]	XXX

4.0 to 100	±1%
0.1 to 3.9	+0.04
a [m]	Tolerance

PVC grey, 8x0.25mm <sup>2</sup>	21348500882XXX
Type of cable	Part no.

- Protection level: IP67  
 - Temperature range: -25°C ... +80°C

All rights reserved Department HCS - RO HARTING Customised Solutions D-32339 Espelkamp	All Dimensions in mm Tech. Character. Free size tol. According to production drawing	Created by 407576 Stoica	Inspected by 402676 Gross	Standardisation MUNTEANV Muntean	Date 2022-08-05	State Final Release	Doc-Key / ECM-Nr. 100578933/UGD/009/C 50000222941
	Title M12 Cable Assembly A-cod st/- f/-	Type TB	Number 21348500882XXX	Rev. C	Page 1/1		