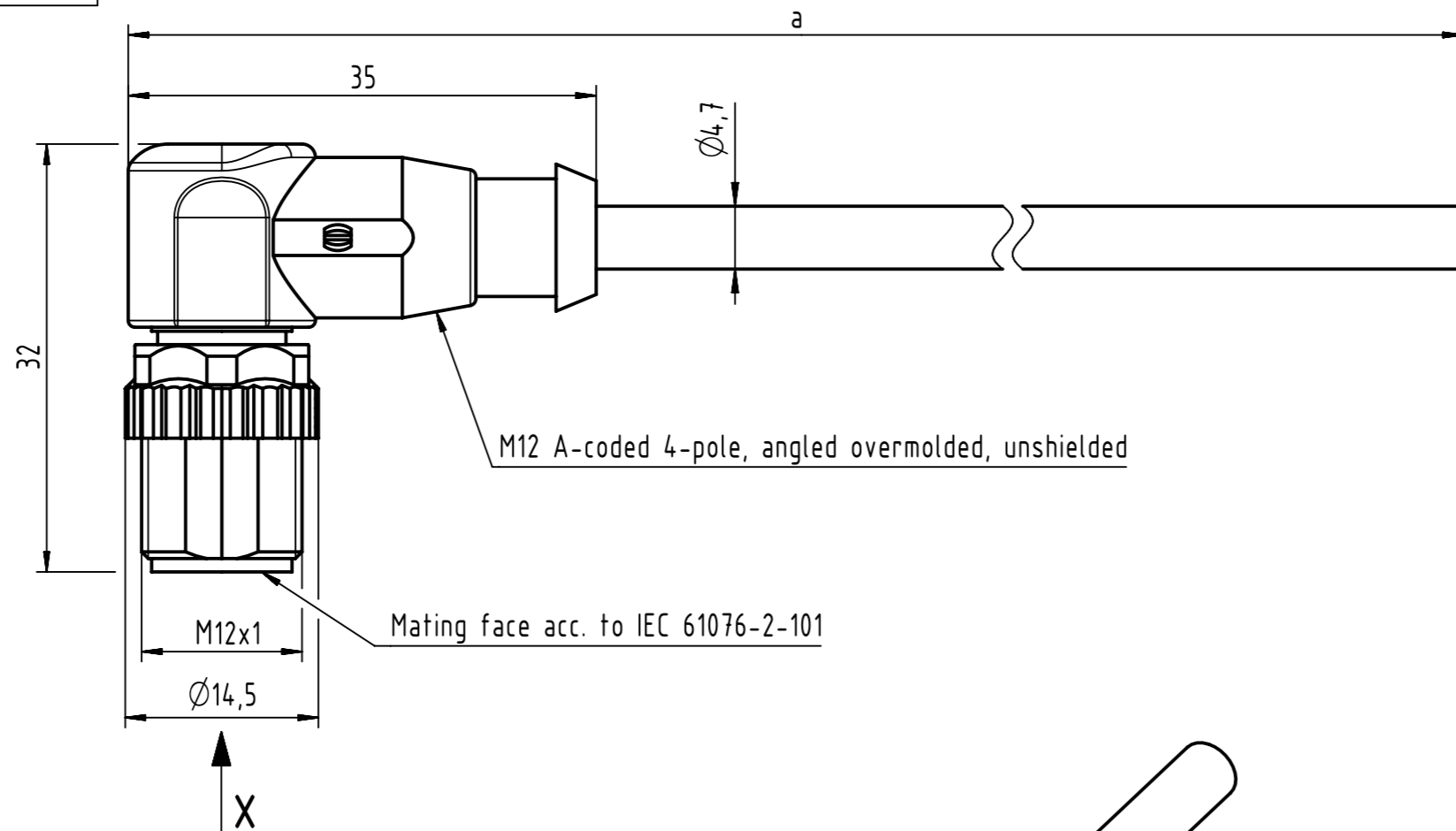


Connector Location A

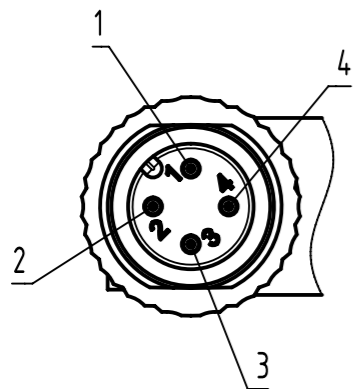
Connector Location B



M12 A-coded 4-pole, angled overmolded, unshielded

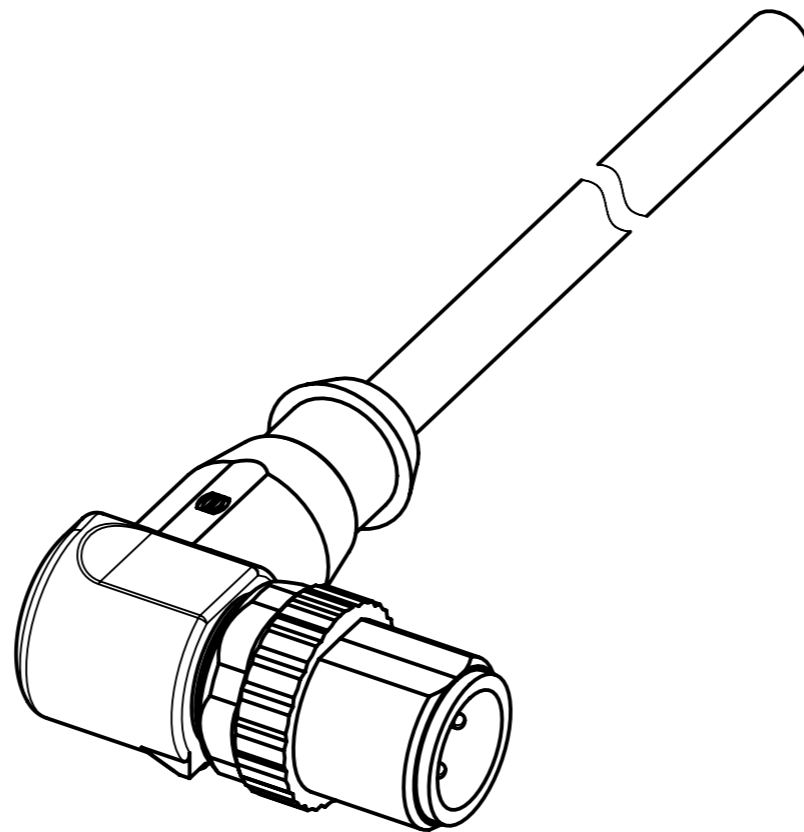
Mating face acc. to IEC 61076-2-101

X
male



Loading Plan

- 1 brown
- 2 white
- 3 blue
- 4 black



- Protection level: IP67
- Temperature range: -25°C ... +80°C

length in "1m" step	100	YYY=000
	99	YYY=990
	12	YYY=120
	11	YYY=110
length in "0.1m" step	10	YYY=100
	9.9	YYY=099
	9.8	YYY=098
	0.4	YYY=004
	0.3	YYY=003
	0.2	YYY=002
	0.1	YYY=001
Step	a [m]	YYY

4.0 to 100	±1%
0.1 to 3.9	+0.04
a [m]	Tolerance

Part no.	213486004YYY
----------	--------------

Type of cable	YY
PVC grey, 4x0.34mm ²	YY=84
PUR black, 4x0.34mm ²	YY=91

	All Dimensions in mm	Tech. Character.		Free size tol.		According to production drawing	
	All rights reserved	Created by STOCHECIC Stocheici	Inspected by COSTEA Costea	Standardisation MUNTEANV Muntean	Date 2023-05-31	State Final Release	
Department HCS - RO		Title M12 Cable Assembly A-cod an/- m/-				Doc-Key / ECM-Nr. 100626548/UGD/009/G 50000243288	
HARTING Customised Solutions D-32339 Espelkamp		Type TB	Number 213486004YYYYY			Rev. G	Page 1/1