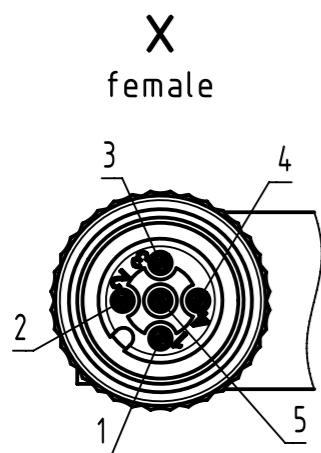
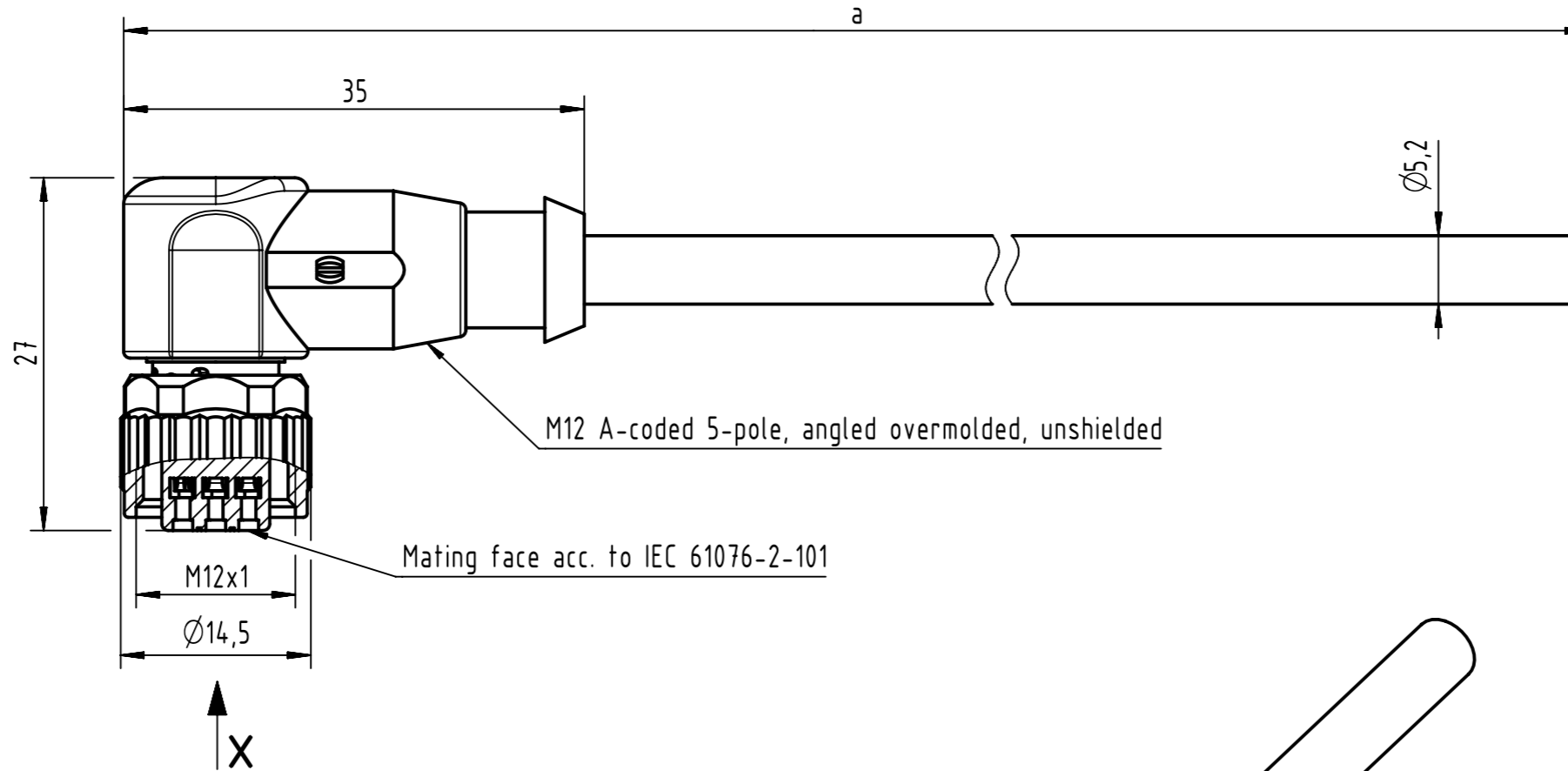


Connector Location A

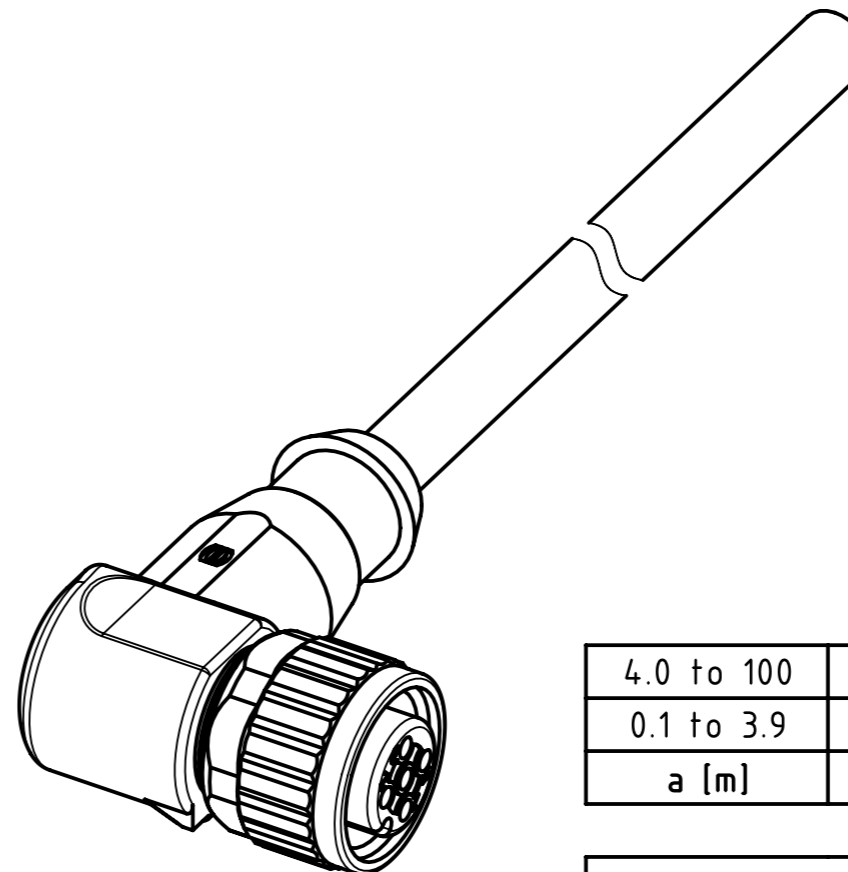
Connector Location B



Loading Plan

1	brown
2	white
3	blue
4	black
5	green/yellow

- Protection level: IP67  
 - Temperature range: -25°C ... +80°C



4.0 to 100	±1%
0.1 to 3.9	+0.04
<b>a [m]</b>	<b>Tolerance</b>

length in "1m" step	100	XXX=000
	99	XXX=990
	.	.
	12	XXX=120
	11	XXX=110
length in "0.1m" step	10	XXX=100
	9.9	XXX=099
	9.8	XXX=098
	.	.
	0.4	XXX=004
	0.3	XXX=003
	0.2	XXX=002
0.1	XXX=001	
<b>Step</b>	<b>a [m]</b>	<b>XXX</b>

PVC grey, 5x0.34mm <sup>2</sup>	21348700585XXX
<b>Type of cable</b>	<b>Part no.</b>

All Dimensions in mm		Tech. Character.		Free size tol.		According to production drawing	
All rights reserved		Created by 407675 Lorinzi	Inspected by BANCIUD Banciu	Standardisation MUNTEANV Muntean	Date 2024-01-30	State Final Release	
Department HCS - GPM		Title M12 Cable Assembly A-cod an/- f/-				Doc-Key / ECM-Nr. 100578864/UGD/009/D 500000253313	
HARTING Customised Solutions D-32339 Espelkamp		Type TB	Number 21348700585XXX			Rev. D	Page 1/1