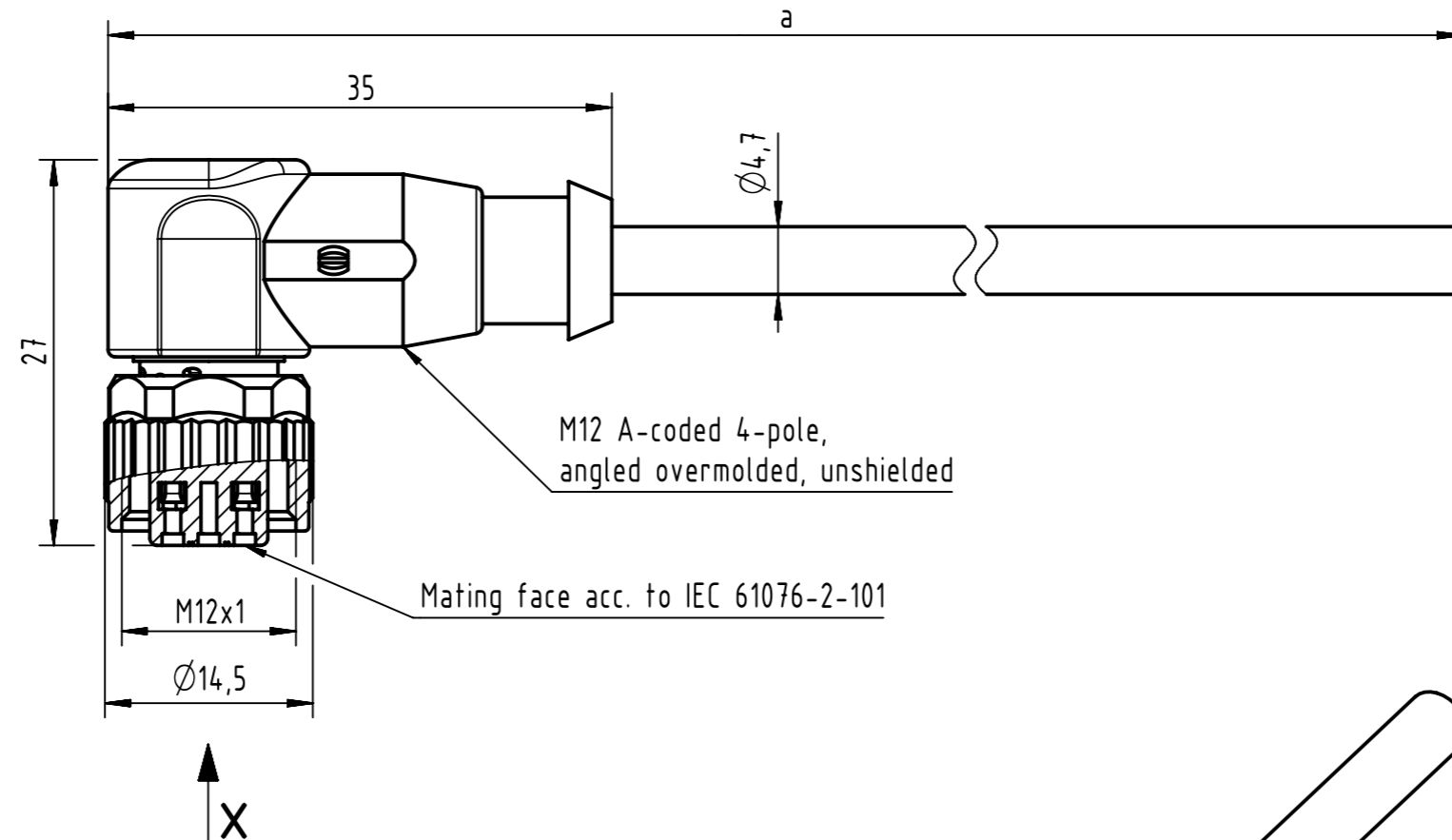


Connector Location A

Connector Location B



E500416



M12 A-coded 4-pole, angled overmolded, unshielded

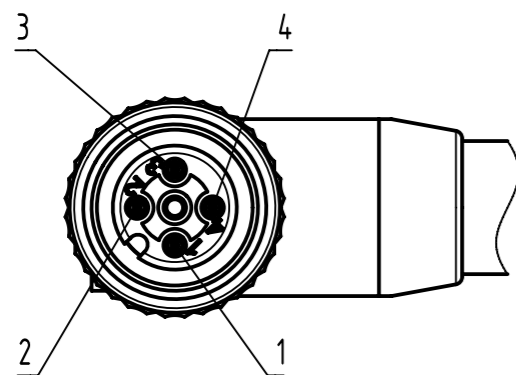
Mating face acc. to IEC 61076-2-101

M12x1

Ø14,5

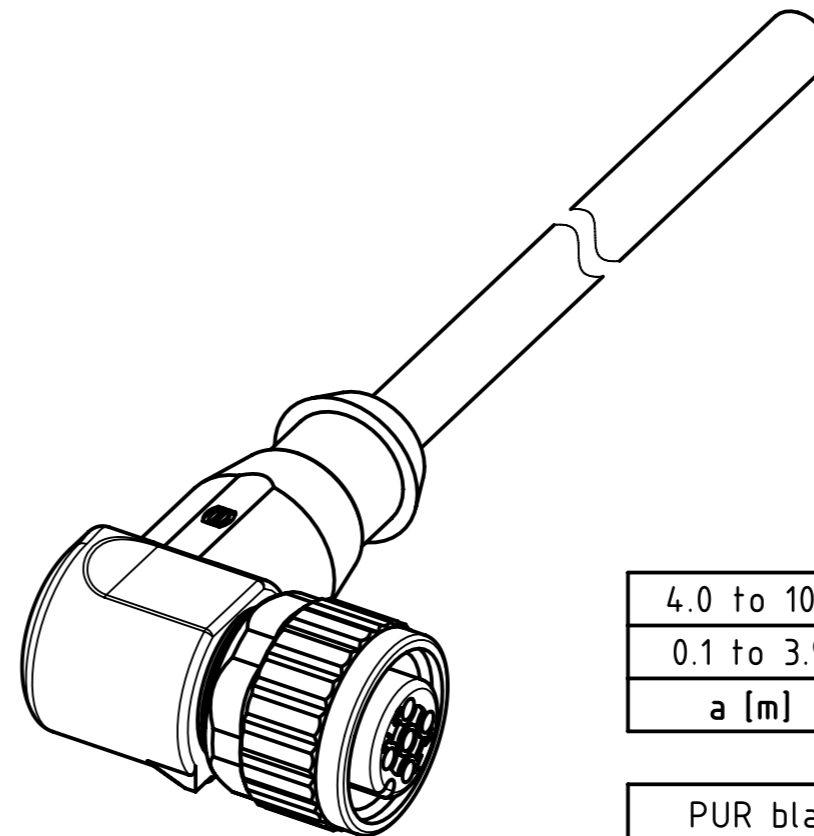


X female



Loading Plan

- 1 brown
- 2 white
- 3 blue
- 4 black



4.0 to 100	±1%
0.1 to 3.9	+0.04
a [m]	Tolerance

length in "1m" step	100	XXX=000
	99	XXX=990

	12	XXX=120
	11	XXX=110
length in "0.1m" step	10	XXX=100
	9.9	XXX=099
	9.8	XXX=098

	0.4	XXX=004
	0.3	XXX=003
	0.2	XXX=002
0.1	XXX=001	
Step	a [m]	XXX

PUR black, 4x0.34mm ²	21348700491XXX
Type of cable	Part no.

- Protection level: IP65/67
 - Temperature range: -25°C ... +80°C

All rights reserved Department HCS - RO HARTING Customised Solutions D-32339 Espelkamp	All Dimensions in mm Tech. Character. Free size tol. According to production drawing	Created by 402676 Gross Title M12 Cable Assembly A-cod an/- f/- Type TB	Inspected by COSTEA Costea Standardisation MUNTEANV Muntean Date 2023-05-31 State Final Release	Doc-Key / ECM-Nr. 100806860/UGD/009/B 50000242419 Rev. B Page 1/1
	Number 21348700491XXX			