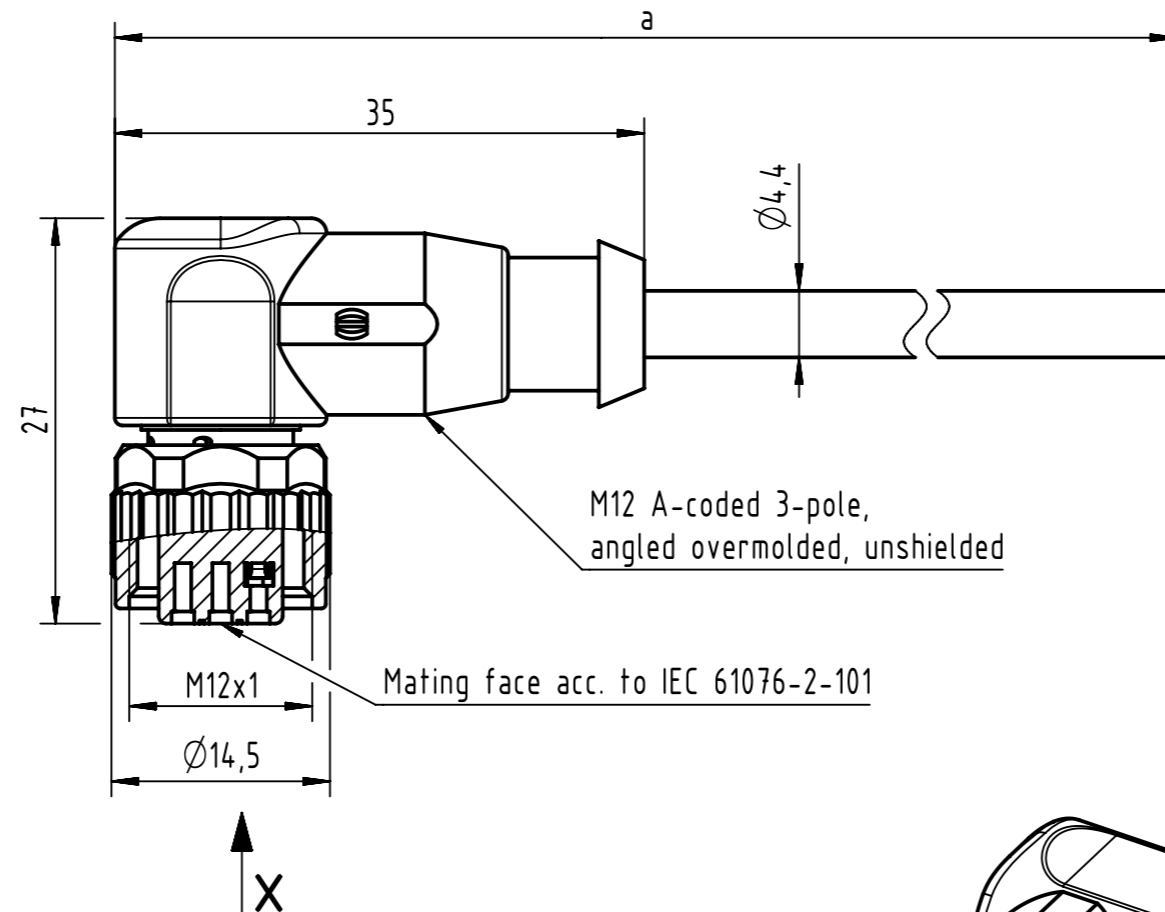


Connector Location A

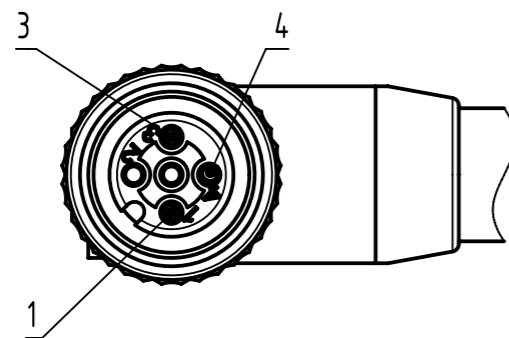
Connector Location B



M12 A-coded 3-pole, angled overmolded, unshielded

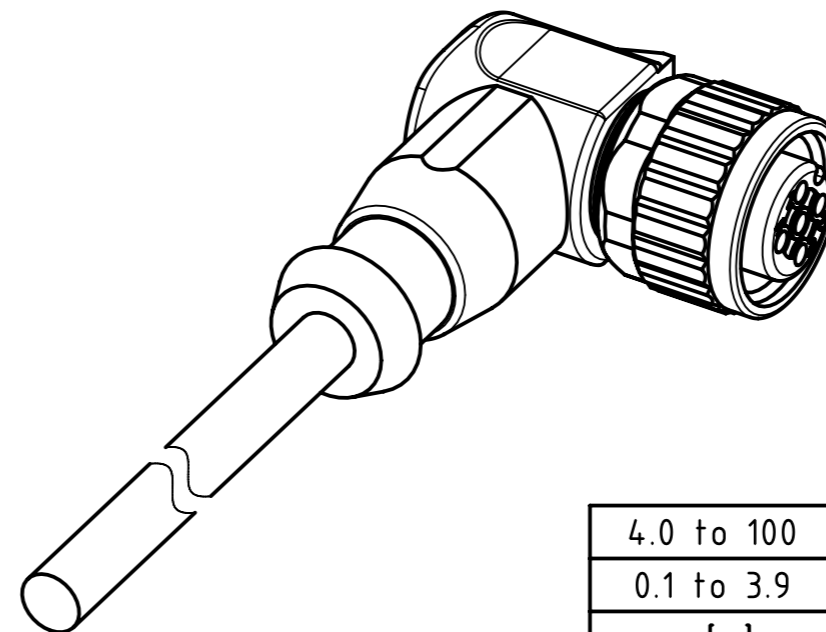
Mating face acc. to IEC 61076-2-101

X female



Loading Plan

- 1 brown
- 3 blue
- 4 black



4.0 to 100	±1%
0.1 to 3.9	+0.04
a [m]	Tolerance

length in "1m" step	100	XXX=000
	99	XXX=990

	12	XXX=120
	11	XXX=110
length in "0.1m" step	10	XXX=100
	9.9	XXX=099
	9.8	XXX=098

	0.4	XXX=004
	0.3	XXX=003
	0.2	XXX=002
0.1	XXX=001	
Step	a [m]	XXX

- Protection level: IP67
- Temperature range: -25°C ... +80°C

PUR black, 3x0.34mm ²	21348700390XXX
Type of cable	Part no.

	All rights reserved Department HCS - RO HARTING Customised Solutions D-32339 Espelkamp	All Dimensions in mm	Tech. Character.		Free size tol.		According to production drawing	
		Created by 402676 Gross	Inspected by COSTEA Costea	Standardisation MUNTEANV Muntean	Date 2023-05-31	State Final Release		Doc-Key / ECM-Nr. 100806832/UGD/009/B 50000242419
Title M12 Cable Assembly A-cod an/- f/-		Type TB		Number 21348700390XXX		Rev. B		Page 1/1