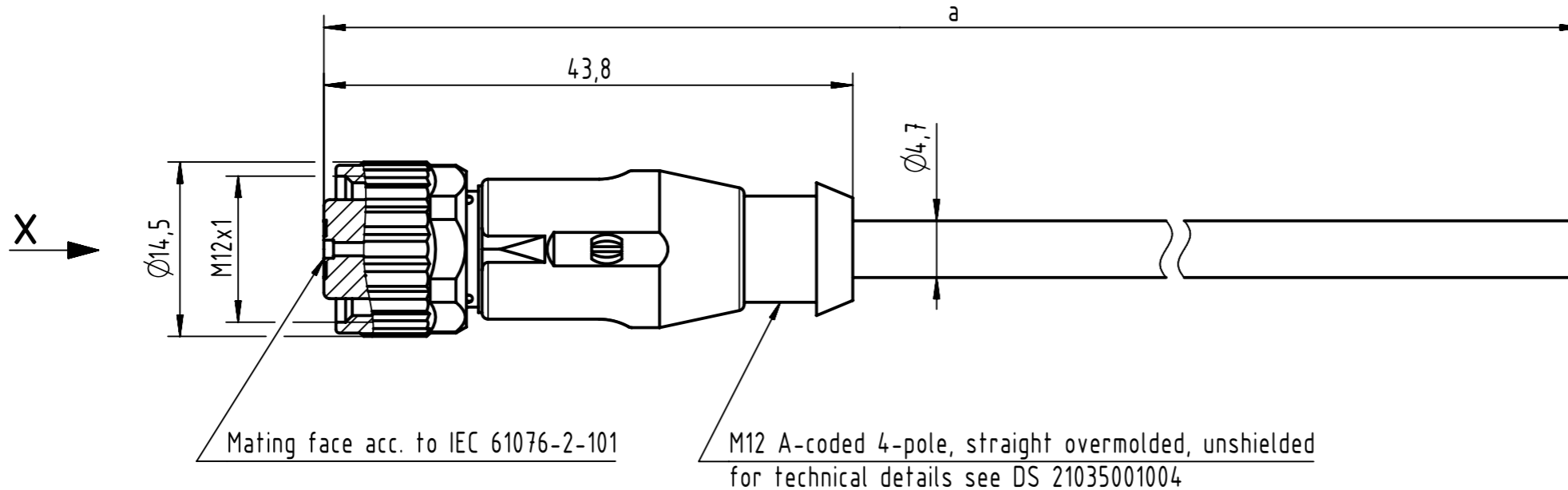


Connector Location A

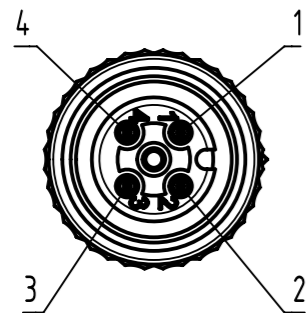
Connector Location B



Mating face acc. to IEC 61076-2-101

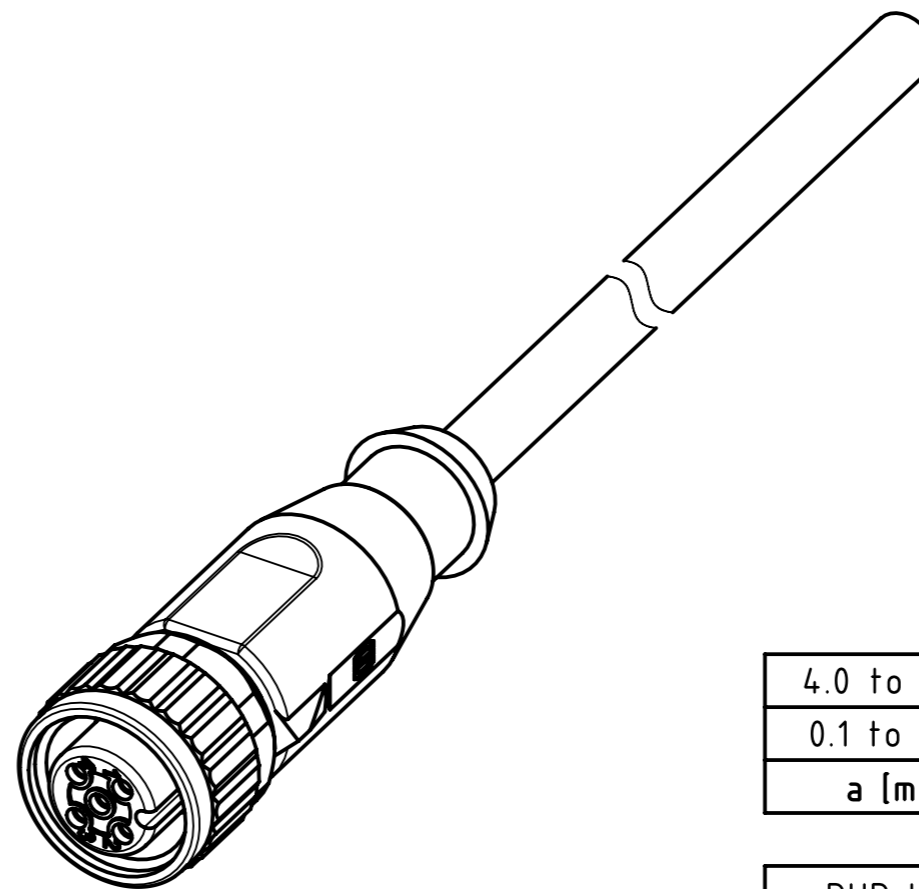
M12 A-coded 4-pole, straight overmolded, unshielded
for technical details see DS 21035001004

X female



Loading Plan

- 1 brown
- 2 white
- 3 blue
- 4 black



4.0 to 100	±1%
0.1 to 3.9	+0.04
a [m]	Tolerance

length in "1m" step	100	XXX=000
	99	XXX=990
	.	.
	12	XXX=120
length in "0.1m" step	11	XXX=110
	10	XXX=100
	9.9	XXX=099
	9.8	XXX=098
	.	.
	0.4	XXX=004
	0.3	XXX=003
	0.2	XXX=002
0.1	XXX=001	
Step	a [m]	XXX

- Protection level: IP67
- Temperature range: -25°C ... +80°C

PUR black, 4x0.34mm ²	21348500491XXX
Type of cable	Part no.

	All rights reserved		Tech. Character.		Free size tol.		According to production drawing	
	Department HCS - RO		Created by COSTEA Costea	Inspected by 402676 Gross	Standardisation MUNTEANV Muntean	Date 2023-07-07	State Final Release	
HARTING Customised Solutions D-32339 Espelkamp		Title M12 Cable Assembly A-cod st/- f/-				Doc-Key / ECM-Nr. 100806457/UGD/009/B 50000247705		Rev. B
		Type TB	Number 21348500491XXX			Page 1/1		