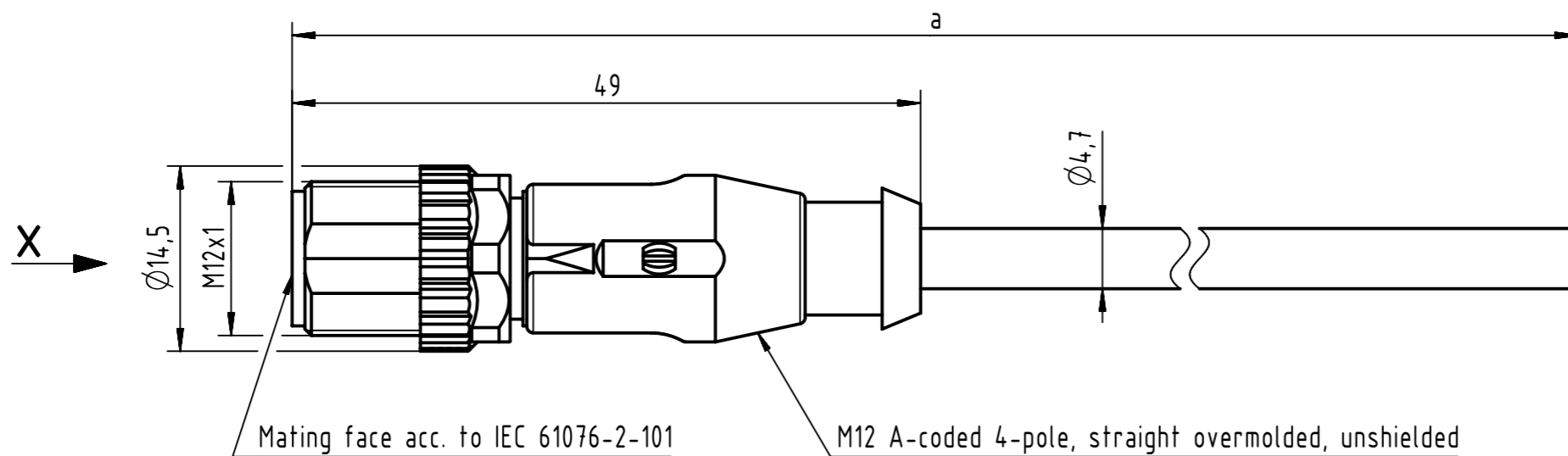
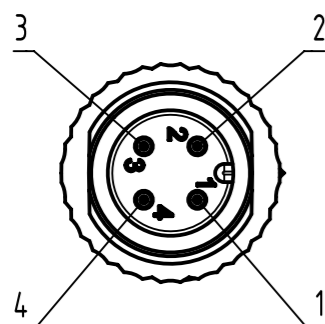


Connector Location A

Connector Location B

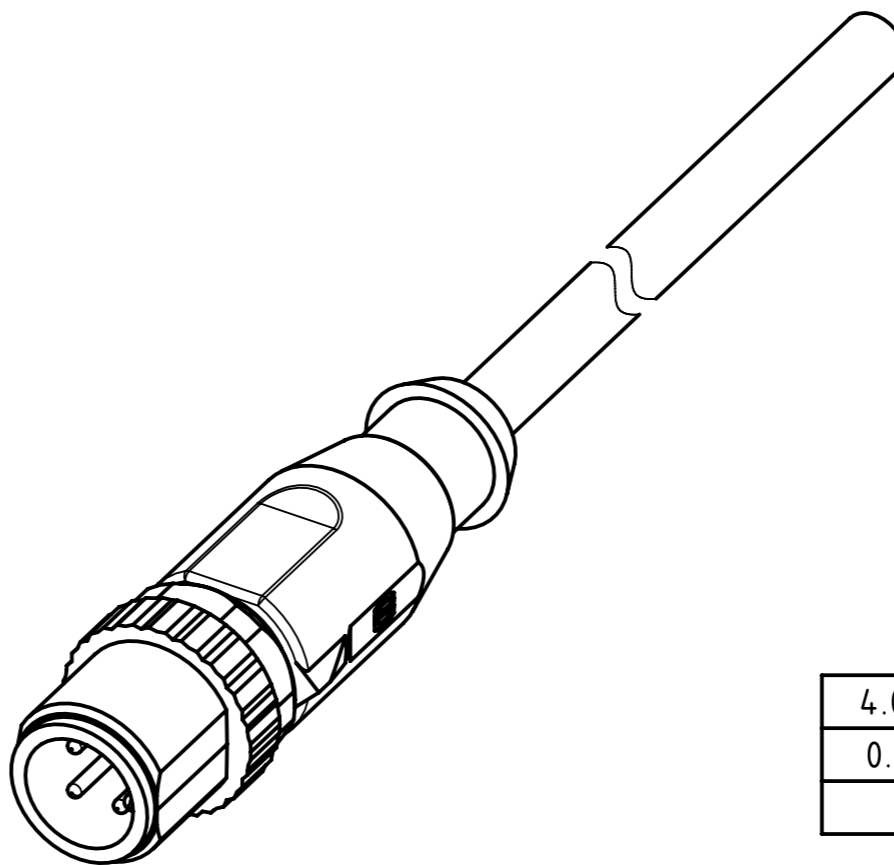


X
male



Loading Plan

- 1 brown
- 2 white
- 3 blue
- 4 black



4.0 to 100	±1%
0.1 to 3.9	+0.04
a [m]	Tolerance

length in "1m" step	100	XXX=000
	99	XXX=990
	.	.
	12	XXX=120
	11	XXX=110
length in "0.1m" step	10	XXX=100
	9.9	XXX=099
	9.8	XXX=098
	.	.
	0.4	XXX=004
	0.3	XXX=003
	0.2	XXX=002
0.1	XXX=001	
Step	a [m]	XXX

PVC grey, 4x0.34mm ²	21348400484XXX
Type of cable	Part no.

- Protection level: IP67
- Temperature range: -25°C ... +80°C

	All rights reserved	Created by 407576 Stoica	Inspected by COSTEA Costea	Standardisation MUNTEANV Muntean	Date 2023-02-24	State Final Release	
	Department HCS - RO	Title M12 Cable Assembly A-cod st/- m/-				Doc-Key / ECM-Nr. 100578816/UGD/009/D 50000238090	
HARTING Customised Solutions D-32339 Espelkamp		Type TB	Number 21348400484XXX			Rev. D	Page 1/1