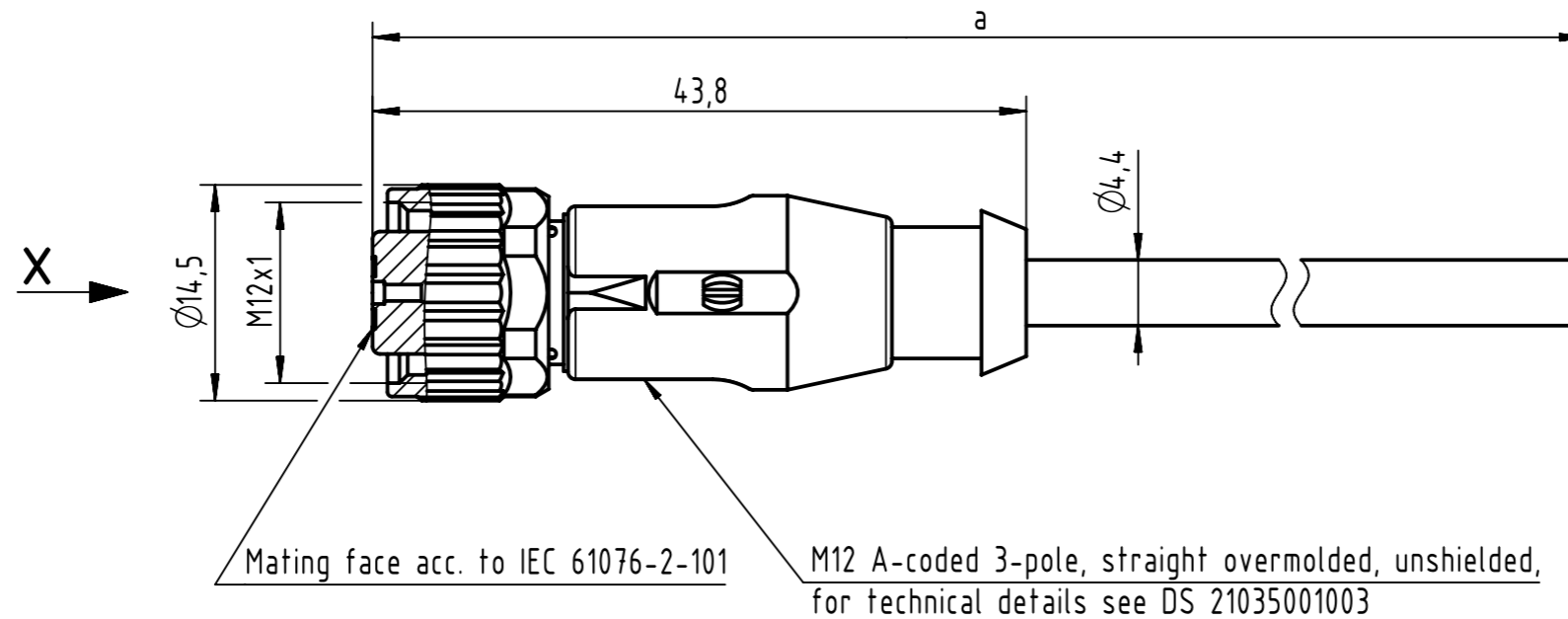
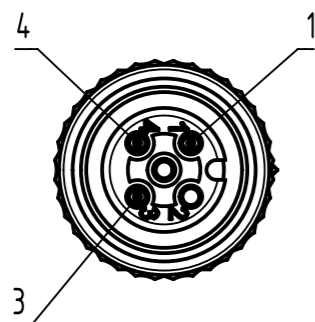


Connector Location A

Connector Location B

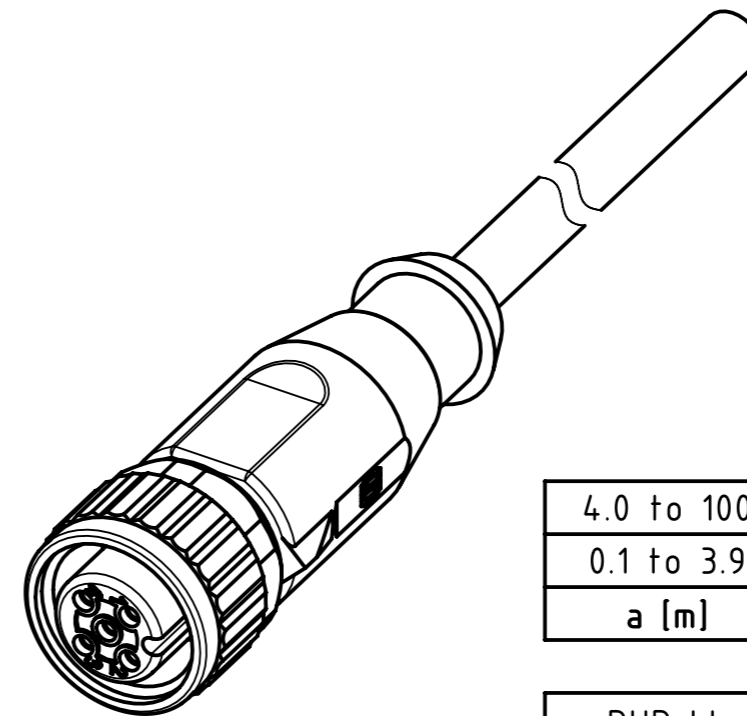


X female



Loading Plan

1	brown
3	blue
4	black



4.0 to 100	±1%
0.1 to 3.9	+0.04
a [m]	Tolerance

length in "1m" step	100	XXX=000
	99	XXX=990
	.	.
	12	XXX=120
	11	XXX=110
length in "0.1m" step	10	XXX=100
	9.9	XXX=099
	9.8	XXX=098
	.	.
	0.4	XXX=004
	0.3	XXX=003
	0.2	XXX=002
0.1	XXX=001	
Step	a [m]	XXX

PUR black, 3x0.34mm ²	21348500390XXX
Type of cable	Part no.

- Protection level: IP67
 - Temperature range: -25°C ... +80°C

All rights reserved Department HCS - RO HARTING Customised Solutions D-32339 Espelkamp		All Dimensions in mm Tech. Character. Created by COSTEA Costea Inspected by 402676 Gross Standardisation MUNTEANV Muntean Date 2023-07-07 State Final Release		Free size tol. According to production drawing Doc-Key / ECM-Nr. 100806420/UGD/009/B 500000247705 Rev. B Page 1/1	
Title M12 Cable Assembly A-cod st/- f/-		Type TB	Number 21348500390XXX		