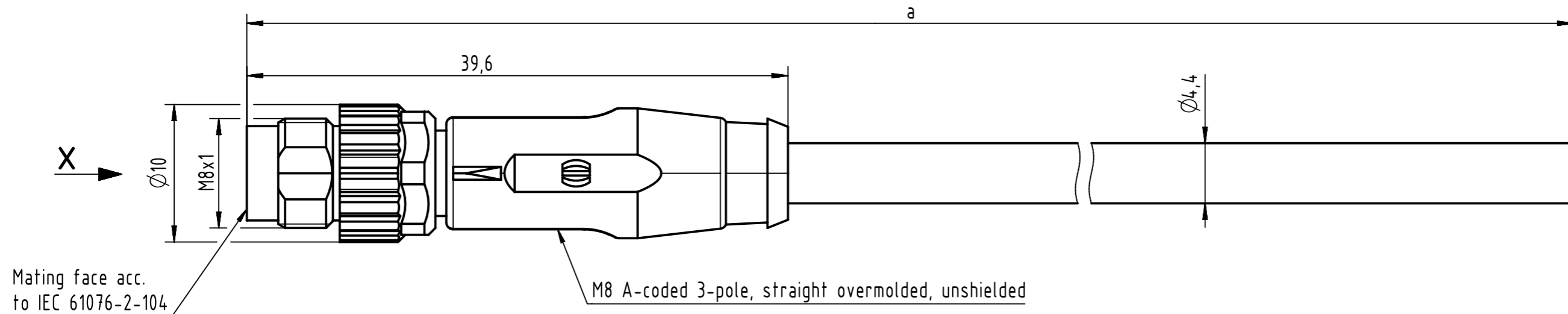
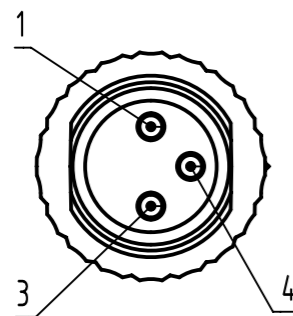


Connector Location A

Connector Location B



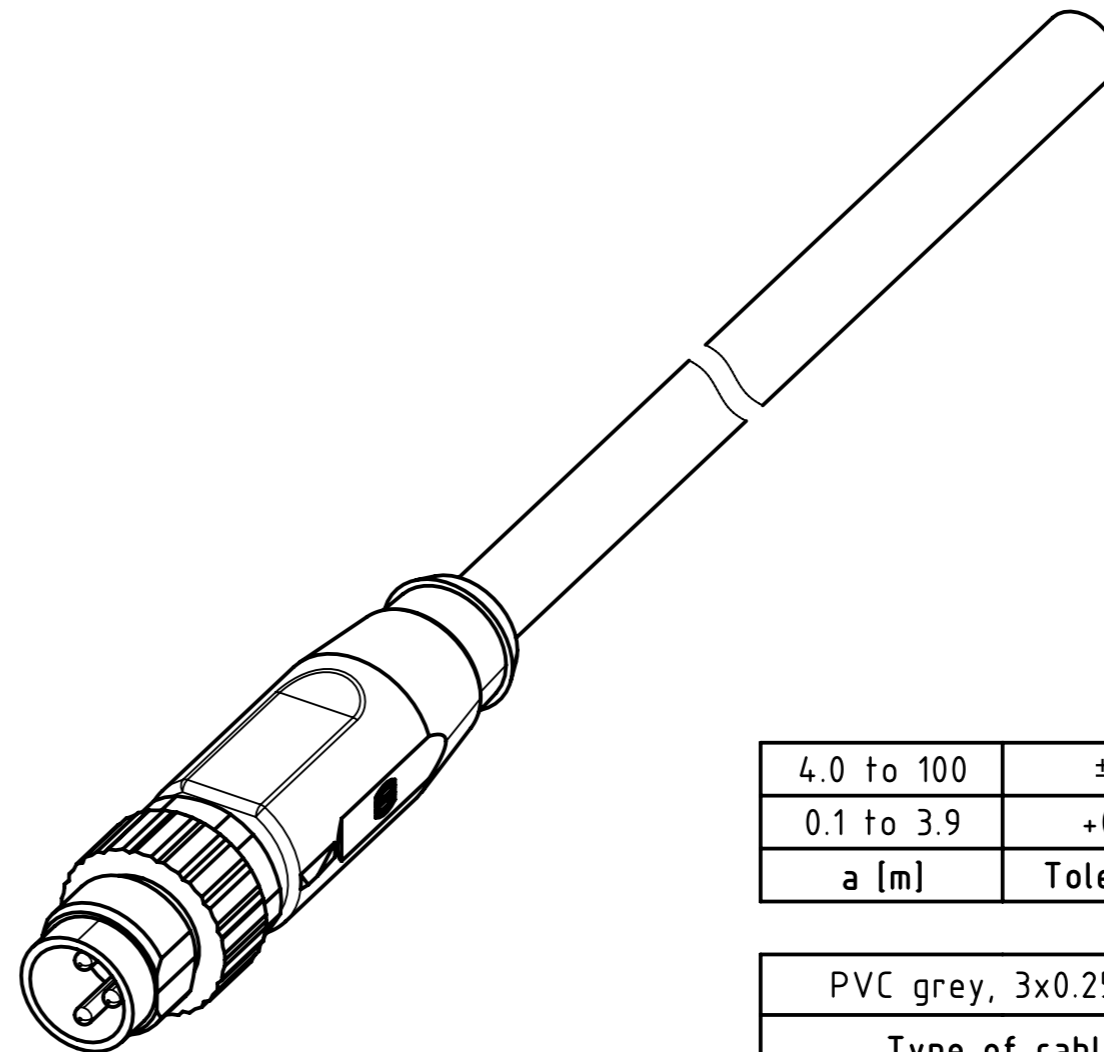
X
male



Loading Plan

- 1 — brown
- 3 — blue
- 4 — black

- Protection level: IP67
- Temperature range: -25°C ... +80°C



| | |
|--------------|------------------|
| 4.0 to 100 | ±1% |
| 0.1 to 3.9 | +0.04 |
| a [m] | Tolerance |

| | | |
|-----------------------|--------------|------------|
| length in "1m" step | 100 | XXX=000 |
| | 99 | XXX=990 |
| | . | . |
| | 12 | XXX=120 |
| | 11 | XXX=110 |
| length in "0.1m" step | 10 | XXX=100 |
| | 9.9 | XXX=099 |
| | 9.8 | XXX=098 |
| | . | . |
| | 0.4 | XXX=004 |
| | 0.3 | XXX=003 |
| | 0.2 | XXX=002 |
| 0.1 | XXX=001 | |
| Step | a [m] | XXX |

| | |
|---------------------------------|-----------------|
| PVC grey, 3x0.25mm ² | 21348000380XXX |
| Type of cable | Part no. |

| | | | | | | | | |
|---|---------------------|---|----------------------------------|---------------------------------|--|--|---------------------------------|--------|
| | All rights reserved | | Tech. Character. | | Free size tol. | | According to production drawing | |
| | Department HCS - RO | | Created by 407675 Lorinczi | Inspected by 402676 Gross | Standardisation MUNTEANV Muntean | Date 2023-06-09 | State Final Release | |
| HARTING Customised Solutions D-32339 Espelkamp | | Title M8 Cable Assembly 3-poles st/- m/- | | | | Doc-Key / ECM-Nr. 100577956/UGD/009/D 500000236006 | | Rev. D |
| | | Type TB | Number 21348000380XXX | | | Page 1/1 | | |