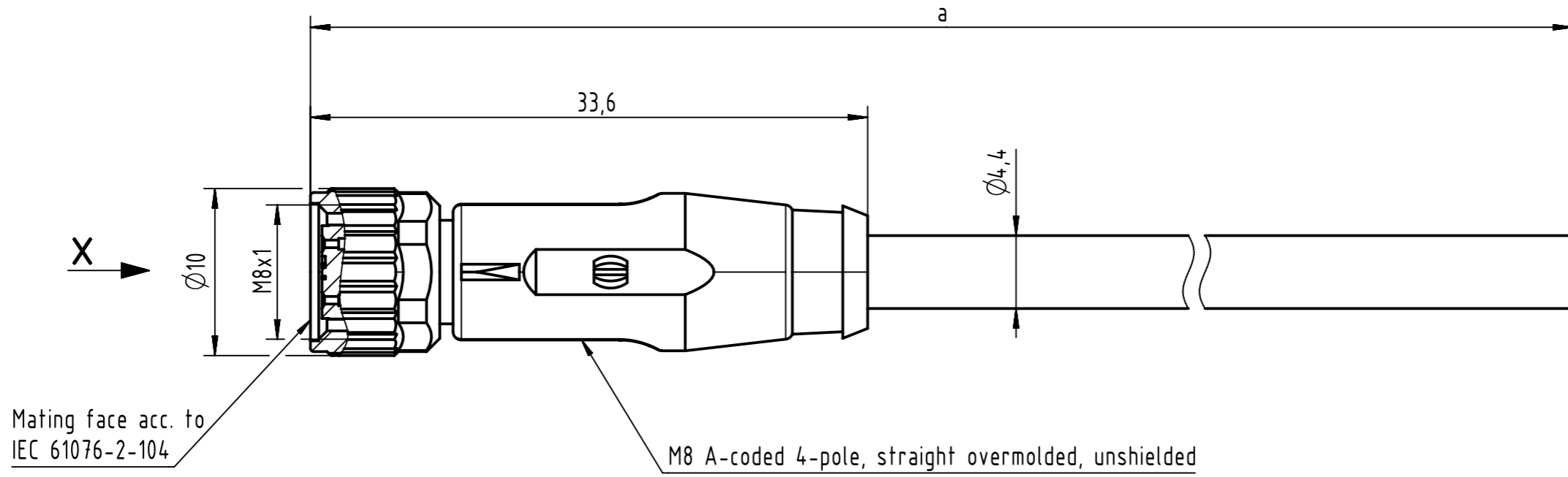


Connector Location A

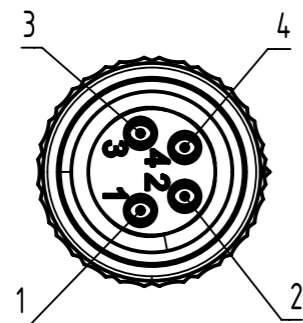
Connector Location B



Mating face acc. to IEC 61076-2-104

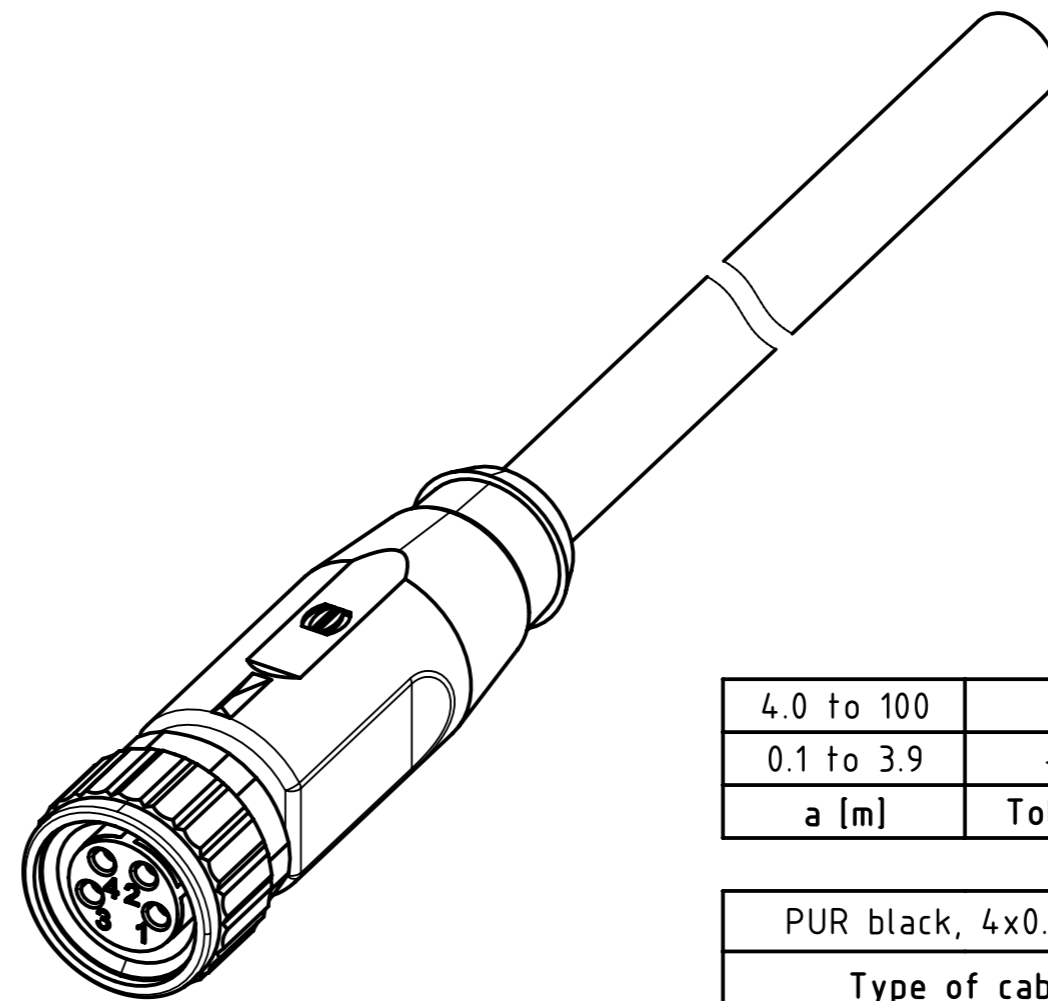
M8 A-coded 4-pole, straight overmolded, unshielded

X female



Loading Plan

- 1 brown
- 2 white
- 3 blue
- 4 black



4.0 to 100	±1%
0.1 to 3.9	+0.04
a [m]	Tolerance

length in "1m" step	100	XXX=000
	99	XXX=990
	.	.
	12	XXX=120
	11	XXX=110
length in "0.1m" step	10	XXX=100
	9.9	XXX=099
	9.8	XXX=098
	.	.
	0.4	XXX=004
	0.3	XXX=003
	0.2	XXX=002
0.1	XXX=001	
Step	a [m]	XXX

- Protection level: IP67
- Temperature range: -25°C ... +80°C

PUR black, 4x0.25mm ²	21348100489XXX
Type of cable	Part no.

	All rights reserved	Created by 407675 Lorinczi	Inspected by COSTEA Costea	Standardisation 402676 Gross	Date 2023-02-27	State Final Release
	Department HCS - RO	Title M8 Cable Assembly 4-poles st/- f/-				Doc-Key / ECM-Nr. 100809670/UGD/009/B 50000238478
HARTING Customised Solutions D-32339 Espelkamp		Type TB	Number 21348100489XXX		Rev. B	Page 1/1