

Product datasheet

Specifications



Tower Light - RG - 24V - LED - Tube mounting with foldable bracket

XVGB2M

Main

Range Of Product	Harmony XVG
Product Or Component Type	Complete pre-wired monolithic tower light
Beacon Or Indicator Bank Unit Type	2 illuminated units
Material	PC (UL94 V-2): globe ABS (UL94HB): tube body Aluminium: tube
Mounting Diameter	60 mm
Component Name	XVG
Device Mounting	Tube mounting with foldable bracket
Light Source	LED steady red LED steady green
Light Block Color	Red/green
Indicator Bank Base Type	Base without buzzer

Complementary

Rated Supply Voltage	24 V AC/DC
Cable Cross Section	0.33 mm ²
Discrete Output Type	PNP and NPN
[Uimp] Rated Impulse Withstand Voltage	0.5 kV
Current Consumption	68 mA
Power Consumption In W	1.6 W
Fundamental Frequency	2.64 kHz
Net Weight	0.36 kg

Environment

Product Certifications	CE EAC
Ambient Air Temperature For Storage	-35...70 °C
Ambient Air Temperature For Operation	-10...50 °C
Ip Degree Of Protection	IP40

Packing Units

Unit Type Of Package 1	PCE
------------------------	-----

Number Of Units In Package 1	1
Package 1 Height	8.5 cm
Package 1 Width	13.9 cm
Package 1 Length	54.7 cm
Package 1 Weight	571.0 g
Unit Type Of Package 2	S06
Number Of Units In Package 2	30
Package 2 Height	73.5 cm
Package 2 Width	60.0 cm
Package 2 Length	80.0 cm
Package 2 Weight	28.0 kg

Contractual warranty

Warranty	18 months
-----------------	-----------

Sustainability

Green Premium™ label is Schneider Electric's commitment to delivering products with best-in-class environmental performance. Green Premium promises compliance with the latest regulations, transparency on environmental impacts, as well as circular and low-CO₂ products.

Guide to assessing product sustainability is a white paper that clarifies global eco-label standards and how to interpret environmental declarations.

[Learn more about Green Premium >](#)

[Guide to assess a product's sustainability >](#)



Transparency RoHS/REACH

Well-being performance

Mercury Free

Rohs Exemption Information Yes

Certifications & Standards

Reach Regulation [REACH Declaration](#)

Eu Rohs Directive Pro-active compliance (Product out of EU RoHS legal scope)

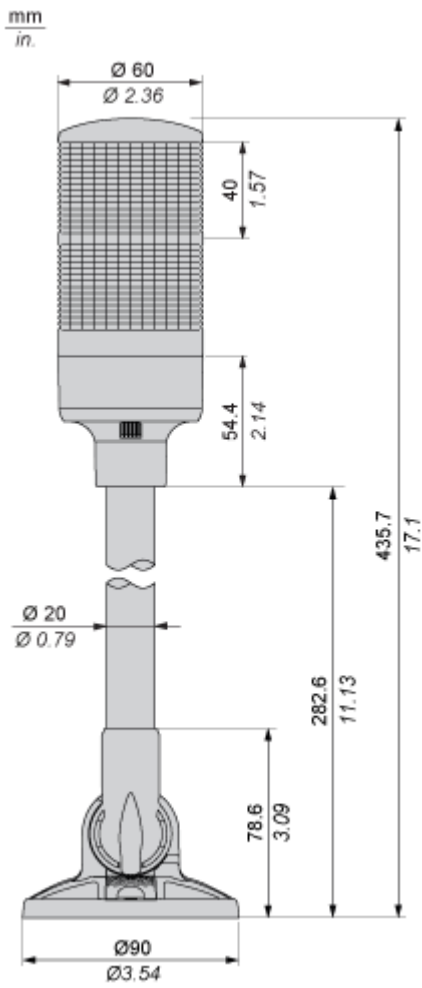
China Rohs Regulation [China RoHS declaration](#)

Environmental Disclosure [Product Environmental Profile](#)

Circularity Profile [End of Life Information](#)

Dimensions Drawings

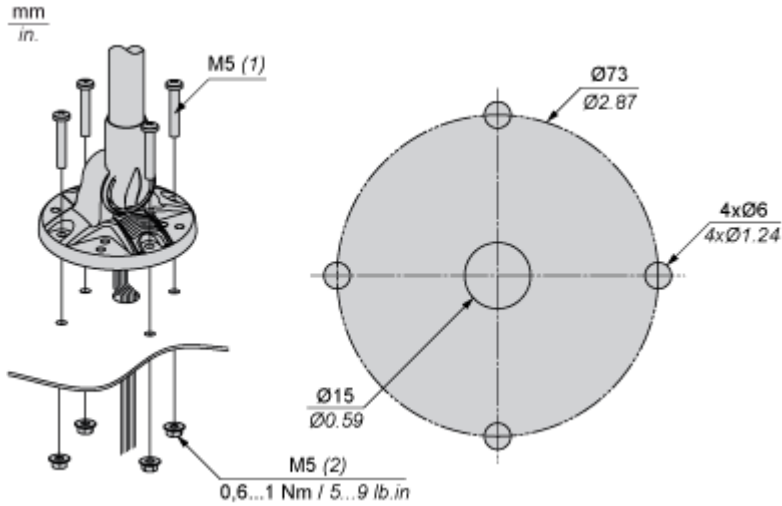
Dimensions



Mounting and Clearance

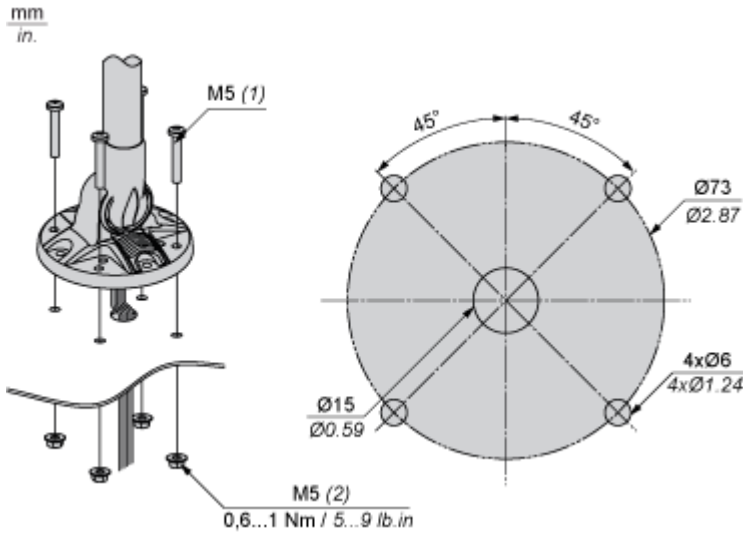
Mounting

Ø73 mm/2.87 in., Standard



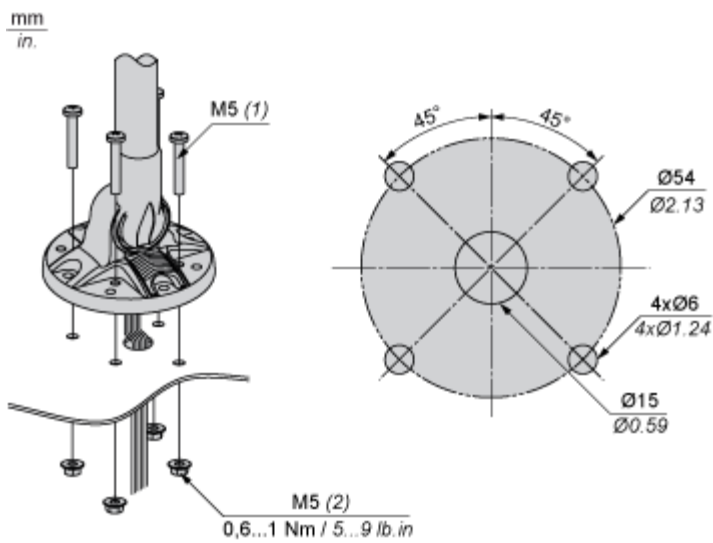
- (1) Thickness + 10 mm/0.39 in.
- (2) Hexagon Nut with flange

Ø73 mm/2.87 in., 45°



- (1) Thickness + 10 mm/0.39 in.
- (2) Hexagon Nut with flange

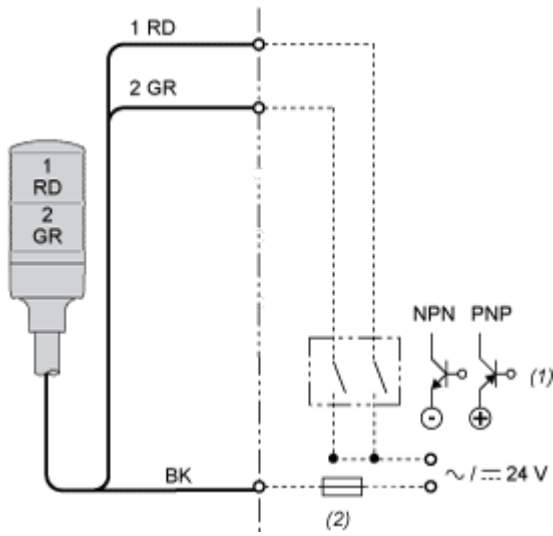
Ø54 mm/2.13 in., 45°



- (1) Thickness + 10 mm/0.39 in.
- (2) Hexagon Nut with flange

Connections and Schema

Wiring



(1) "ON" for lighting and/or applying continuous sound.

(2) Fuse (rated current: 0.5 A)

RD : Red

GR : Green

BK : Black