

Product datasheet

Specifications



Monolithic tower lights, Harmony XVG, 60mm, red orange green blue, steady light, buzzer, aluminium tube, fixing plate, IP42, 24V AC/DC

XVGB4SH

Main

Range Of Product	Harmony XVG
Product Or Component Type	Complete pre-wired monolithic tower light
Beacon Or Indicator Bank Unit Type	4 illuminated units
Material	PC (UL94 V-2): globe ABS (UL94HB): tube body Aluminium: tube
Mounting Diameter	60 mm
Component Name	XVG
Device Mounting	Tube mounting with fixing plate
Light Source	LED steady red LED steady green LED steady amber LED steady blue
Light Block Color	Red/orange/green/blue
Indicator Bank Base Type	Base with integrated buzzer

Complementary

Rated Supply Voltage	24 V AC/DC
Cable Cross Section	0.33 mm ²
Discrete Output Type	PNP and NPN
[Uimp] Rated Impulse Withstand Voltage	0.5 kV
Current Consumption	207 mA
Noise Level	85 dB
Power Consumption In W	4.8 W
Fundamental Frequency	2.64 kHz
Net Weight	0.41 kg

Environment

Product Certifications	CE EAC
Ambient Air Temperature For Storage	-35...70 °C
Ambient Air Temperature For Operation	-10...50 °C
Ip Degree Of Protection	IP42

Packing Units

Unit Type Of Package 1	PCE
Number Of Units In Package 1	1
Package 1 Height	9.3 cm
Package 1 Width	14.1 cm
Package 1 Length	55.0 cm
Package 1 Weight	603.0 g
Unit Type Of Package 2	S06
Number Of Units In Package 2	30
Package 2 Height	73.5 cm
Package 2 Width	60.0 cm
Package 2 Length	80.0 cm
Package 2 Weight	29.0 kg

Contractual warranty

Warranty	18 months
----------	-----------

Sustainability

Green Premium™ label is Schneider Electric's commitment to delivering products with best-in-class environmental performance. Green Premium promises compliance with the latest regulations, transparency on environmental impacts, as well as circular and low-CO₂ products.

Guide to assessing product sustainability is a white paper that clarifies global eco-label standards and how to interpret environmental declarations.

[Learn more about Green Premium >](#)

[Guide to assess a product's sustainability >](#)



Transparency RoHS/REACH

Well-being performance

Mercury Free

RoHS Exemption Information Yes

Certifications & Standards

Reach Regulation [REACH Declaration](#)

Eu RoHS Directive Pro-active compliance (Product out of EU RoHS legal scope)

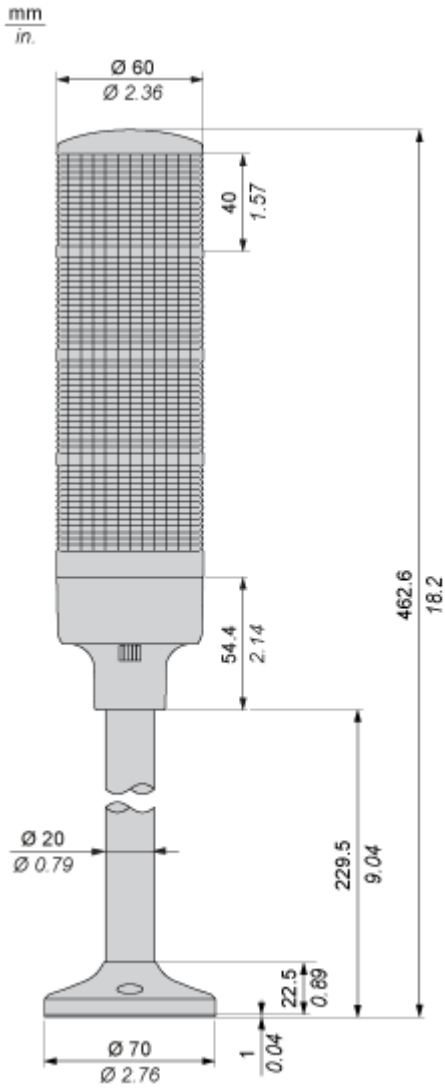
China RoHS Regulation [China RoHS declaration](#)

Environmental Disclosure [Product Environmental Profile](#)

Circularity Profile [End of Life Information](#)

Dimensions Drawings

Dimensions

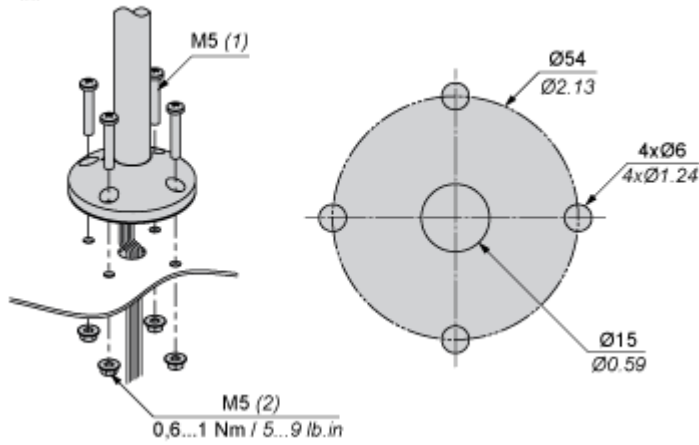


Mounting and Clearance

Mounting

Ø54 mm/2.13 in., Standard

$\frac{\text{mm}}{\text{in.}}$

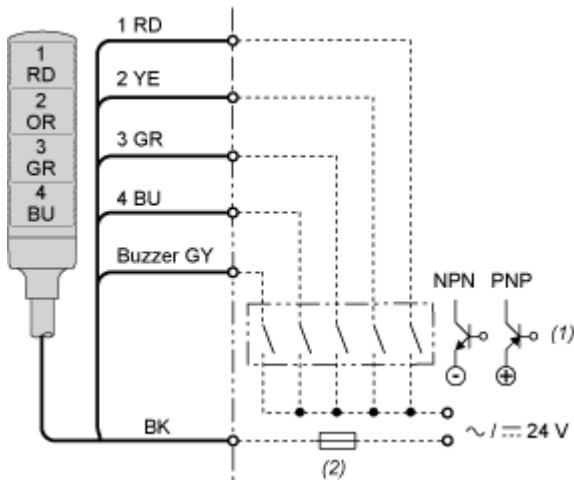


(1) Thickness + 10 mm/0.39 in.

(2) Hexagon Nut with flange

Connections and Schema

Wiring



(1) "ON" for lighting and/or applying continuous sound.

(2) Fuse (rated current: 0.5 A)

RD : Red

YE : Yellow

GR : Green

BU : Blue

GY : Grey

OR : Orange

BK : Black