

Product datasheet

Specifications



Monolithic tower lights, Harmony XVG, 60mm, red green, steady light, buzzer, aluminium tube mounting and fixing plate, IP42, 24V AC/DC

XVGB2SH

Main

Range Of Product	Harmony XVG
Product Or Component Type	Complete pre-wired monolithic tower light
Beacon Or Indicator Bank Unit Type	2 illuminated units
Material	PC (UL94 V-2): globe ABS (UL94HB): tube body Aluminium: tube
Mounting Diameter	60 mm
Component Name	XVG
Device Mounting	Tube mounting with fixing plate
Light Source	LED steady red LED steady green
Light Block Color	Red/green
Indicator Bank Base Type	Base with integrated buzzer

Complementary

Rated Supply Voltage	24 V AC/DC
Cable Cross Section	0.33 mm ²
Discrete Output Type	PNP and NPN
[Uimp] Rated Impulse Withstand Voltage	0.5 kV
Current Consumption	140 mA
Noise Level	85 dB
Power Consumption In W	3.1 W
Fundamental Frequency	2.64 kHz
Net Weight	0.33 kg

Environment

Product Certifications	CE EAC
Ambient Air Temperature For Storage	-35...70 °C
Ambient Air Temperature For Operation	-10...50 °C
Ip Degree Of Protection	IP42

Packing Units

Unit Type Of Package 1	PCE
Number Of Units In Package 1	1
Package 1 Height	8.3 cm
Package 1 Width	14.1 cm
Package 1 Length	53.0 cm
Package 1 Weight	532.0 g
Unit Type Of Package 2	S04
Number Of Units In Package 2	6
Package 2 Height	30 cm
Package 2 Width	40 cm
Package 2 Length	60 cm
Package 2 Weight	4.16 kg

Contractual warranty

Warranty	18 months
----------	-----------

Sustainability

Green Premium™ label is Schneider Electric's commitment to delivering products with best-in-class environmental performance. Green Premium promises compliance with the latest regulations, transparency on environmental impacts, as well as circular and low-CO₂ products.

Guide to assessing product sustainability is a white paper that clarifies global eco-label standards and how to interpret environmental declarations.

[Learn more about Green Premium >](#)

[Guide to assess a product's sustainability >](#)



Transparency RoHS/REACH

Well-being performance

Mercury Free

RoHS Exemption Information Yes

Certifications & Standards

Reach Regulation [REACH Declaration](#)

Eu RoHS Directive Pro-active compliance (Product out of EU RoHS legal scope)

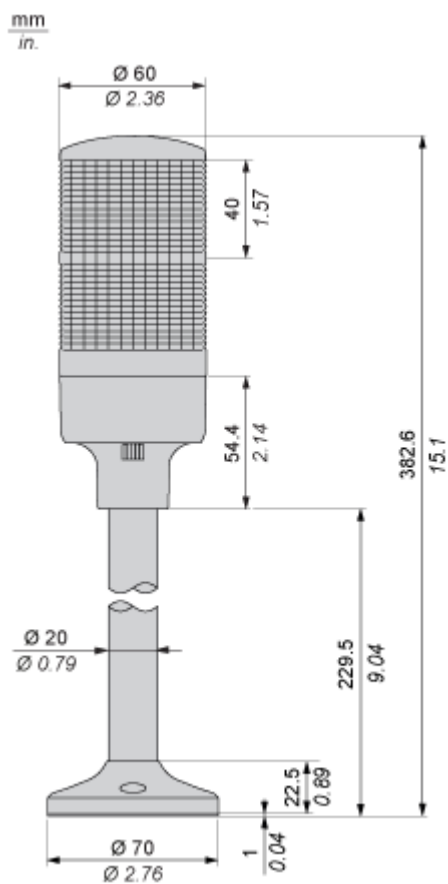
China RoHS Regulation [China RoHS declaration](#)

Environmental Disclosure [Product Environmental Profile](#)

Circularity Profile [End of Life Information](#)

Dimensions Drawings

Dimensions

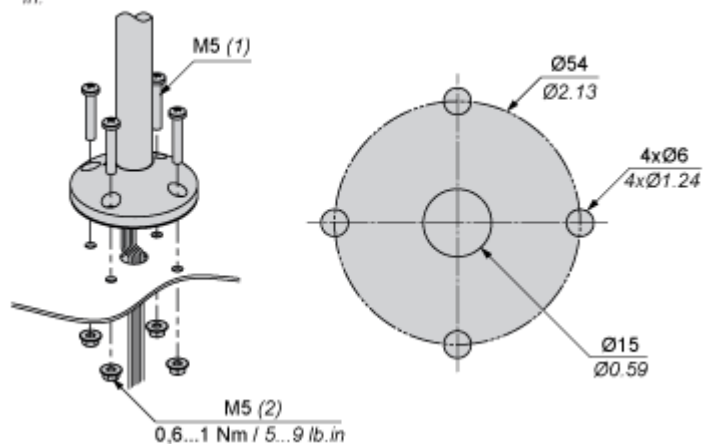


Mounting and Clearance

Mounting

Ø54 mm/2.13 in., Standard

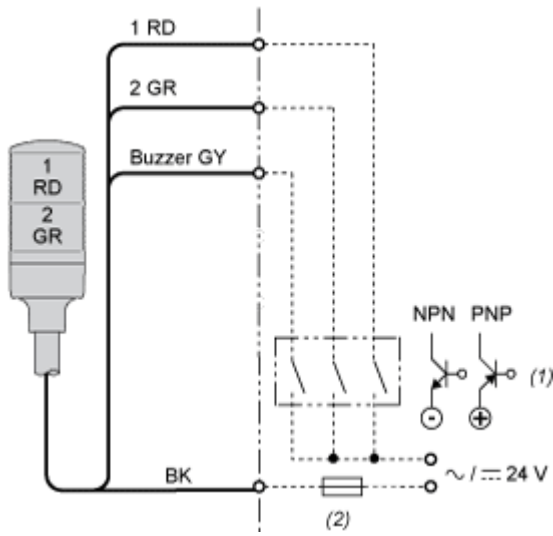
$\frac{\text{mm}}{\text{in.}}$



- (1) Thickness + 10 mm/0.39 in.
- (2) Hexagon Nut with flange

Connections and Schema

Wiring



(1) "ON" for lighting and/or applying continuous sound.

(2) Fuse (rated current: 0.5 A)

RD : Red

GR : Green

GY : Grey

BK : Black