

Product datasheet

Specifications



Tower Light - RAG - 24V - LED - Tube mounting with fixing plate

XVGB3H

Main

| | |
|------------------------------------|--|
| Range Of Product | Harmony XVG |
| Product Or Component Type | Complete pre-wired monolithic tower light |
| Beacon Or Indicator Bank Unit Type | 3 illuminated units |
| Material | PC (UL94 V-2): globe ABS (UL94HB): tube body Aluminium: tube |
| Mounting Diameter | 60 mm |
| Component Name | XVG |
| Device Mounting | Tube mounting with fixing plate |
| Light Source | LED steady red LED steady green LED steady amber |
| Light Block Color | Red/orange/green |
| Indicator Bank Base Type | Base without buzzer |

Complementary

| | |
|--|----------------------|
| Rated Supply Voltage | 24 V AC/DC |
| Cable Cross Section | 0.33 mm ² |
| Discrete Output Type | PNP and NPN |
| [Uimp] Rated Impulse Withstand Voltage | 0.5 kV |
| Current Consumption | 109 mA |
| Power Consumption In W | 3.1 W |
| Fundamental Frequency | 2.64 kHz |
| Net Weight | 0.36 kg |

Environment

| | |
|---------------------------------------|-------------|
| Product Certifications | CE EAC |
| Ambient Air Temperature For Storage | -35...70 °C |
| Ambient Air Temperature For Operation | -10...50 °C |
| Ip Degree Of Protection | IP53 |

Packing Units

| | |
|------------------------|-----|
| Unit Type Of Package 1 | PCE |
|------------------------|-----|

| | |
|-------------------------------------|----------|
| Number Of Units In Package 1 | 1 |
| Package 1 Height | 8.3 cm |
| Package 1 Width | 14.1 cm |
| Package 1 Length | 56.5 cm |
| Package 1 Weight | 561.0 g |
| Unit Type Of Package 2 | S04 |
| Number Of Units In Package 2 | 5 |
| Package 2 Height | 30 cm |
| Package 2 Width | 40 cm |
| Package 2 Length | 60 cm |
| Package 2 Weight | 3.715 kg |
| Unit Type Of Package 3 | P06 |
| Number Of Units In Package 3 | 30 |
| Package 3 Height | 72 cm |
| Package 3 Width | 60 cm |
| Package 3 Length | 80 cm |
| Package 3 Weight | 29 kg |

Contractual warranty

| | |
|-----------------|-----------|
| Warranty | 18 months |
|-----------------|-----------|

Sustainability

Green Premium™ label is Schneider Electric's commitment to delivering products with best-in-class environmental performance. Green Premium promises compliance with the latest regulations, transparency on environmental impacts, as well as circular and low-CO₂ products.

Guide to assessing product sustainability is a white paper that clarifies global eco-label standards and how to interpret environmental declarations.

[Learn more about Green Premium >](#)

[Guide to assess a product's sustainability >](#)



Transparency RoHS/REACH

Well-being performance

Mercury Free

RoHS Exemption Information Yes

Certifications & Standards

Reach Regulation [REACH Declaration](#)

Eu RoHS Directive Pro-active compliance (Product out of EU RoHS legal scope)

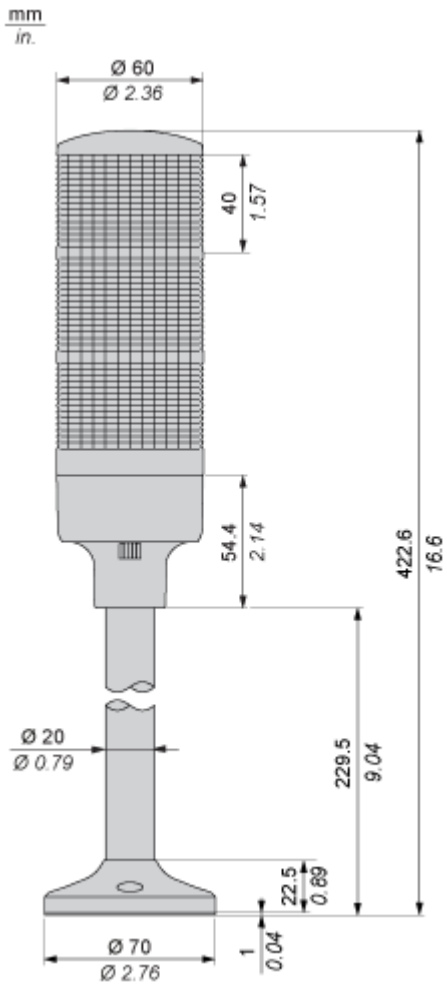
China RoHS Regulation [China RoHS declaration](#)

Environmental Disclosure [Product Environmental Profile](#)

Circularity Profile [End of Life Information](#)

Dimensions Drawings

Dimensions

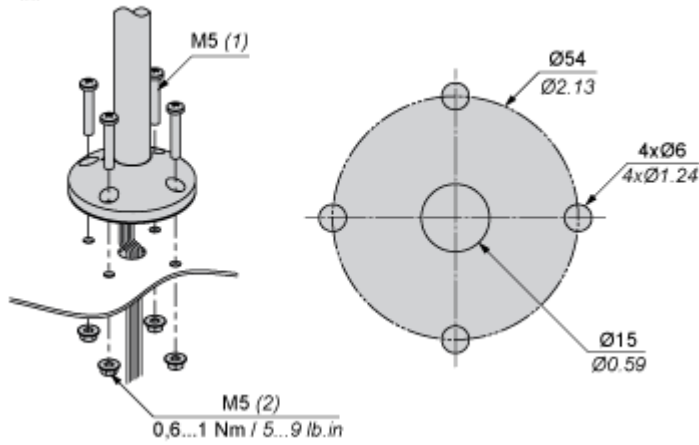


Mounting and Clearance

Mounting

Ø54 mm/2.13 in., Standard

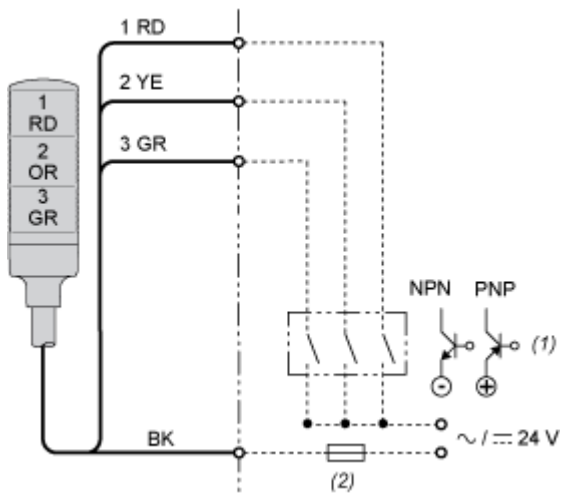
$\frac{\text{mm}}{\text{in.}}$



- (1) Thickness + 10 mm/0.39 in.
- (2) Hexagon Nut with flange

Connections and Schema

Wiring



(1) "ON" for lighting and/or applying continuous sound.

(2) Fuse (rated current: 0.5 A)

RD : Red

YE : Yellow

GR : Green

OR : Orange

BK : Black