

# Product datasheet

Specifications



## Tower Light - RAG - 24V - LED - Tube mounting with "L" bracket

XVGB3

### Main

Range Of Product	Harmony XVG
Product Or Component Type	Complete pre-wired monolithic tower light
Beacon Or Indicator Bank Unit Type	3 illuminated units
Material	PC (UL94 V-2): globe ABS (UL94HB): tube body Aluminium: tube
Mounting Diameter	60 mm
Component Name	XVG
Device Mounting	Tube with L bracket
Light Source	LED steady red LED steady green LED steady amber
Light Block Color	Red/orange/green
Indicator Bank Base Type	Base without buzzer

### Complementary

Rated Supply Voltage	24 V AC/DC
Cable Cross Section	0.33 mm <sup>2</sup>
Discrete Output Type	PNP and NPN
[Uimp] Rated Impulse Withstand Voltage	0.5 kV
Current Consumption	109 mA
Power Consumption In W	3.1 W
Fundamental Frequency	2.64 kHz
Net Weight	0.46 kg

### Environment

Product Certifications	CE EAC
Ambient Air Temperature For Storage	-35...70 °C
Ambient Air Temperature For Operation	-10...50 °C
Ip Degree Of Protection	IP23

### Packing Units

Unit Type Of Package 1	PCE
------------------------	-----

<b>Number Of Units In Package 1</b>	1
<b>Package 1 Height</b>	9.3 cm
<b>Package 1 Width</b>	14.2 cm
<b>Package 1 Length</b>	55.0 cm
<b>Package 1 Weight</b>	640.0 g
<b>Unit Type Of Package 2</b>	S04
<b>Number Of Units In Package 2</b>	8
<b>Package 2 Height</b>	30 cm
<b>Package 2 Width</b>	40 cm
<b>Package 2 Length</b>	60 cm
<b>Package 2 Weight</b>	5.15 kg

## Contractual warranty

<b>Warranty</b>	18 months
-----------------	-----------

## Sustainability

**Green Premium™ label** is Schneider Electric's commitment to delivering products with best-in-class environmental performance. Green Premium promises compliance with the latest regulations, transparency on environmental impacts, as well as circular and low-CO<sub>2</sub> products.

**Guide to assessing product sustainability** is a white paper that clarifies global eco-label standards and how to interpret environmental declarations.

[Learn more about Green Premium >](#)

[Guide to assess a product's sustainability >](#)



Transparency RoHS/REACH

## Well-being performance

Mercury Free

Rohs Exemption Information Yes

## Certifications & Standards

Reach Regulation [REACH Declaration](#)

Eu Rohs Directive Pro-active compliance (Product out of EU RoHS legal scope)

China Rohs Regulation [China RoHS declaration](#)

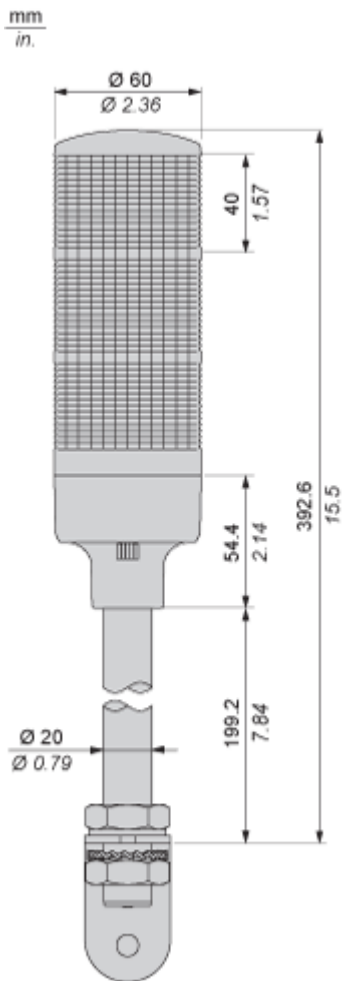
Environmental Disclosure [Product Environmental Profile](#)

Circularity Profile [End of Life Information](#)

Dimensions Drawings

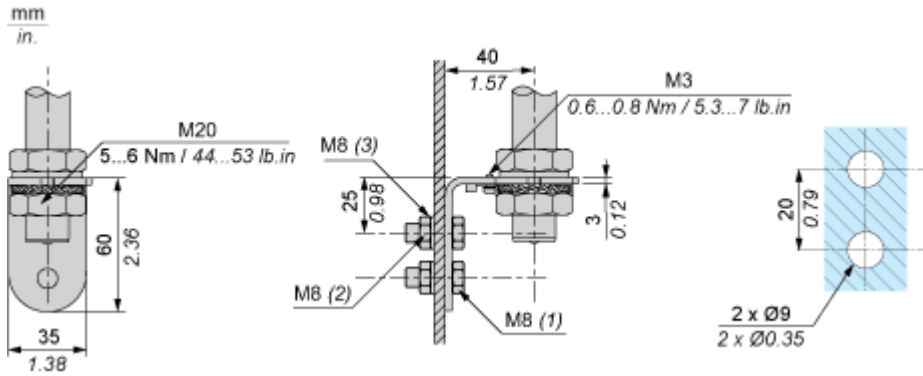
Dimensions

---



Mounting and Clearance

Mounting

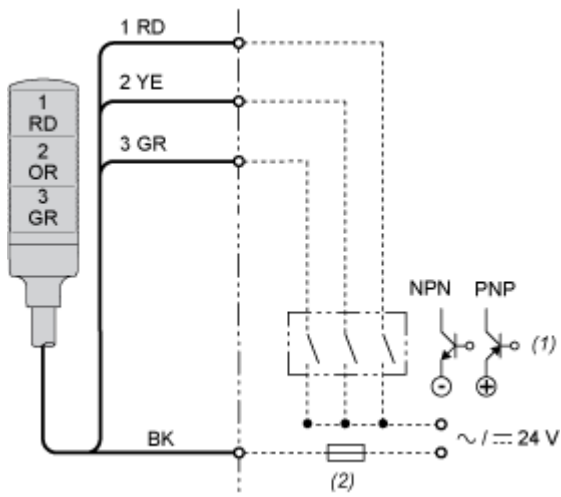


- (1) Thickness +10 mm/0.39 in
- (2) Hexagon Nut
- (3) Washer

Connections and Schema

Wiring

---



(1) "ON" for lighting and/or applying continuous sound.

(2) Fuse (rated current: 0.5 A)

RD : Red

YE : Yellow

GR : Green

OR : Orange

BK : Black