

XUKR1NSMM12

Photoelectric sensors XU, color mark, Sn 20 mm, NC, M12 connector



Main

Range of product	Telemecanique Photoelectric sensors XU
Series name	Application packaging
Electronic sensor type	Photo-electric sensor
Sensor name	XUK
Sensor design	Compact 50 x 50
Detection system	Diffuse
Emission	White LED
[Sn] nominal sensing distance	19 mm spot Ø 3.5 mm
Material	Plastic
Switching frequency	<= 5 kHz
Type of output signal	Discrete
Supply circuit type	DC
Wiring technique	3-wire
Discrete output type	NPN
Discrete output function	1 NO or 1 NC programmable
Electrical connection	1 male connector M12 adjustable through 90°, 4 pins
Product specific application	Colour mark
Sale per indivisible quantity	1

Complementary

Enclosure material	ABS
Lens material	Glass
Resolution	0.5 mm
Depth of field	+/- 2 mm
Maximum passing speed of object	2.5 m/s, minimum detected mark width: 1 mm
Output type	Solid state
Output function governance	Light or dark teaching
Add on output	Without
Add on input	Remote teaching
Status LED	Stability: 1 LED (green) Error: 1 LED (green/red (flashing)) Output state: 1 LED (yellow)
[Us] rated supply voltage	12...24 V DC
Supply voltage limits	DC
Switching capacity in mA	<= 100 mA (reverse polarity, overload and short-circuit protection)
Maximum voltage drop	<2 V (closed state)
Current consumption	<= 30 mA no-load
Maximum delay response	0.1 ms
Maximum delay recovery	0.1 ms
Setting-up	Sensitivity adjustment with teach mode
Depth	50 mm
Height	50 mm
Width	15 mm
Net weight	0.045 kg

The information provided in this documentation contains general descriptions and/or technical characteristics of the performance of the products contained herein. This documentation is not intended as a substitute for and is not to be used for determining suitability or reliability of these products for specific user applications. It is the duty of any such user or integrator to perform the appropriate and complete risk analysis, evaluation and testing of the products with respect to the relevant specific application or use thereof. Neither TWSS Holding nor any of its affiliates or subsidiaries shall be responsible or liable for misuse of the information contained herein.

Environment

Product certifications	CE[RETURN]cULus
Ambient air temperature for operation	-10...55 °C
Ambient air temperature for storage	-20...70 °C
Vibration resistance	+/-0.5 mm (f = 10...55 Hz) conforming to IEC 60068-2-6
Shock resistance	30 gn (duration = 11 ms) for 6 shocks on each axis conforming to IEC 60068-2-27
IP degree of protection	IP65 conforming to IEC 60529

Packing Units

Unit Type of Package 1	PCE
Number of Units in Package 1	1
Package 1 Height	3.5 cm
Package 1 Width	8.1 cm
Package 1 Length	8.2 cm
Package 1 Weight	50.0 g
Unit Type of Package 2	S02
Number of Units in Package 2	42
Package 2 Height	15.0 cm
Package 2 Width	30.0 cm
Package 2 Length	40.0 cm
Package 2 Weight	2.505 kg

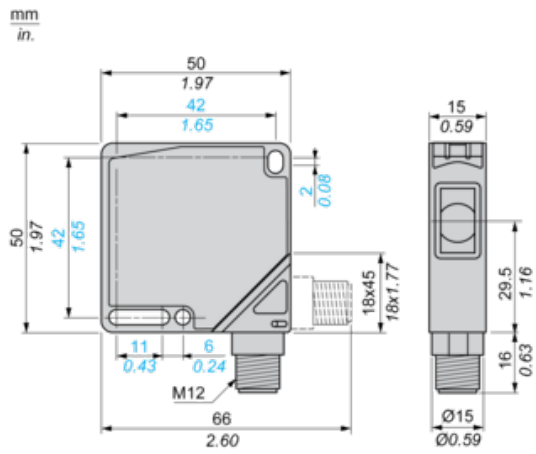
Offer Sustainability

Sustainable offer status	Green Premium product
Toxic heavy metal free	Yes
Environmental Disclosure	Product Environmental Profile
Circularity Profile	End of Life Information
California proposition 65	WARNING: This product can expose you to chemicals including: Diisononyl phthalate (DINP), which is known to the State of California to cause cancer, and Di-isodecyl phthalate (DIDP), which is known to the State of California to cause birth defects or other reproductive harm. For more information go to www.P65Warnings.ca.gov
For all Reach Rohs enquiries contact us at	sustainability@tesensors.com

Contractual warranty

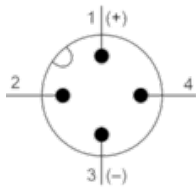
Warranty	18 months
----------	-----------

Dimensions



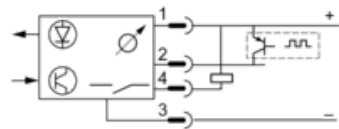
Wiring Schemes

Connector Scheme



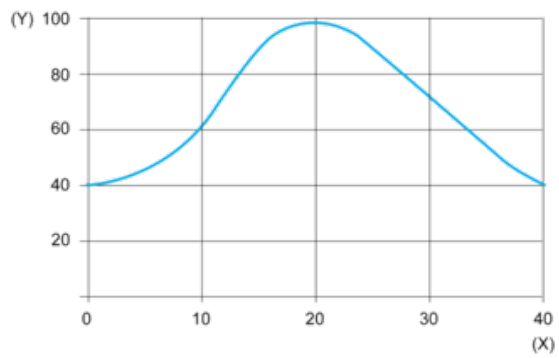
- 1/Brown : 10...30 VDC
- 2/White : Adjustment input
- 3/Blue : 0 V
- 4/Black : Output

NPN Output



Curves

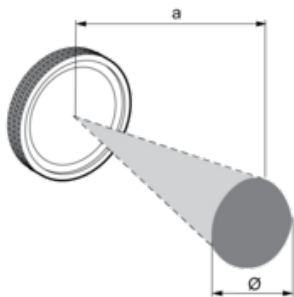
Detection Curve



(y) % of signal

(x) Detection distance (mm)

Detection Zone and Spot Size



a (mm)	Ø (mm)
19	3.5