



Main

Range of product	Telemecanique Cabling components
Accessory / separate part category	Cabling accessories
Accessory / separate part type	Connector
Electrical connection	Elbowed male connector M12, 4 pins
Collar material	Metal
Status LED	Without
Cable connection	Screw terminal / wire size <math><0.75 \text{ mm}^2</math> / clamping capacity 3...6 mm

Complementary

Cable gland type	Pg 7
Cable connector fixing	Screw-on
[Ue] rated operational voltage	125 V AC 150 V DC
[In] rated current	3 A
Enclosure material	Plastic
Minimum insulating resistance	1000 G Ω
Contact resistance	8000 μOhm
Net weight	0.025 kg

Environment

IP degree of protection	IP67
Ambient air temperature for operation	-40...85 °C

Packing Units

Unit Type of Package 1	PCE
Number of Units in Package 1	1
Package 1 Height	2.0 cm
Package 1 Width	6.0 cm
Package 1 Length	7.0 cm
Package 1 Weight	26.0 g
Unit Type of Package 2	S02
Number of Units in Package 2	100
Package 2 Height	15.0 cm
Package 2 Width	30.0 cm
Package 2 Length	40.0 cm
Package 2 Weight	2.992 kg

Offer Sustainability

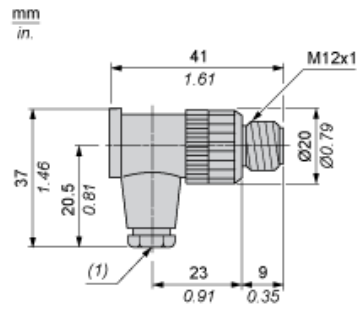
California proposition 65	WARNING: This product can expose you to chemicals including: Diisononyl phthalate (DINP), which is known to the State of California to cause cancer, and Di-isodecyl phthalate (DIDP), which is known to the State of California to cause birth defects or other reproductive harm. For more information go to www.P65Warnings.ca.gov
For all Reach Rohs enquiries contact us at	sustainability@tesensors.com

Contractual warranty

Warranty

18 months

Dimensions



(1) Cable gland : no. 7 plastic (Pg 7)

Connections and Schemes

