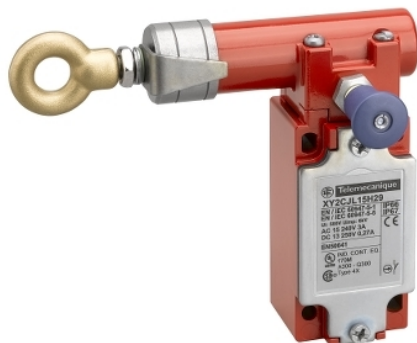


# XY2CJL19H29

Latching emergency stop rope pull switch,  
Telemecanique rope pull switches XY2C, e  
XY2CJ, left side, 2NC+1 NO, ISO M20



## Main

|                           |  |
|---------------------------|--|
| Range of product          | Telemecanique Emergency stop rope pull switches XY2C |
| Product or component type | Latching emergency stop rope pull switch             |
| Device short name         | XY2C   |
| Housing colour            | Red RAL 3000   |
| Overvoltage category      | Class I conforming to EN/IEC 61140                   |

## Complementary

|  |   |
|--|---|
| Local signalling                             | Color indicator   |
| Number of cables                             | 1   |
| Trigger cable maximum length                 | 30 m  |
| Body material                                | Zamak   |
| Cover material                               | Galvanised steel  |
| Reset  | By pull button  |
| Contacts type and composition                | 2 NC + 1 NO   |
| Contact operation                            | Slow-break  |
| Trigger cable anchor point                   | LH side   |
| Connections - terminals                      | Screw clamp terminal, 1 x 0.34...1 x 1 mm <sup>2</sup><br>Screw clamp terminal, 1 x 0.34...2 x 0.75 mm <sup>2</sup>   |
| Tightening torque                            | 0.8...1.2 N.m   |
| Cable entry number                           | 1 tapped entry for ISO M20 cable gland  |
| Safety level                                 | Can reach PL = e with the appropriate monitoring system and correctly wired conforming to EN/ISO 13849-1<br>Can reach category 4 with the appropriate monitoring system and correctly wired conforming to EN/ISO 13849-1<br>Can reach SIL 3 with the appropriate monitoring system and correctly wired conforming to EN/IEC 61508 |
| Safety reliability data                      | B10d = 500000 conforming to IEC 60947-5-5 value given for a life time of 20 years limited by mechanical or contact wear   |
| Marking                                      | CE  |
| Mechanical durability                        | 100000 cycles   |
| Distance between cable supports              | 5 m   |
| [Ie] rated operational current               | 0.1 A at 250 V, DC-13, R300 conforming to EN/IEC 60947-5-1 appendix A<br>1.5 A at 240 V, AC-15, B300 conforming to EN/IEC 60947-5-1 appendix A  |
| [Ithe] conventional enclosed thermal current | 6 A   |
| [Ui] rated insulation voltage                | 400 V (pollution degree 3) conforming to EN/IEC 60947-1<br>300 V conforming to UL 508<br>300 V conforming to CSA C22.2 No 14  |
| [Uimp] rated impulse withstand voltage       | 4 kV conforming to EN/IEC 60947-1   |
| Positive opening                             | With conforming to EN/IEC 60947-5-1   |
| Maximum resistance across terminals          | 25 MOhm conforming to EN/IEC 60255-7 category 3<br>25 MOhm conforming to NF C 93-050 method A   |
| Short-circuit protection                     | 6 A cartridge fuse type gG conforming to EN/IEC 60269   |

|                               |                                     |
|-------------------------------|-------------------------------------|
| Terminals description ISO n°1 | (31-32)NC<br>(21-22)NC<br>(13-14)NO |
| Net weight                    | 0.669 kg                            |
| Compatibility code            | XY2CJ                               |




## Environment

|                                       |   |
|---------------------------------------|---|
| Standards                             | EN/ISO 13850<br>EN/IEC 60947-5-1<br>CSA C22.2 No 14<br>UL 508<br>EN/IEC 60204-1<br>EN/IEC 60947-5-5<br>Work equipment directive 2009/104/EC<br>Machinery directive 2006/42/EC |
| Product certifications                | UL category NISD emergency stop devices<br>CSA<br>CCC<br>EAC  |
| Protective treatment                  | TC  |
| Ambient air temperature for operation | -25...70 °C   |
| Ambient air temperature for storage   | -40...70 °C   |
| Vibration resistance                  | 10 gn (f= 10...150 Hz) conforming to EN/IEC 60068-2-6   |
| Shock resistance                      | 50 gn 11 ms conforming to EN/IEC 60068-2-27   |
| IP degree of protection               | IP66 conforming to IEC 60529<br>IP67 conforming to IEC 60529  |

## Packing Units

|                              |           |
|------------------------------|-----------|
| Unit Type of Package 1       | PCE       |
| Number of Units in Package 1 | 1         |
| Package 1 Height             | 9.0 cm    |
| Package 1 Width              | 16.0 cm   |
| Package 1 Length             | 20.3 cm   |
| Package 1 Weight             | 797.0 g   |
| Unit Type of Package 2       | P06       |
| Number of Units in Package 2 | 48        |
| Package 2 Height             | 80.0 cm   |
| Package 2 Width              | 80.0 cm   |
| Package 2 Length             | 60.0 cm   |
| Package 2 Weight             | 50.972 kg |
| Unit Type of Package 3       | S03       |
| Number of Units in Package 3 | 6         |
| Package 3 Height             | 30.0 cm   |
| Package 3 Width              | 30.0 cm   |
| Package 3 Length             | 40.0 cm   |
| Package 3 Weight             | 5.41 kg   |

## Offer Sustainability

|                            |  |
|----------------------------|--|
| Sustainable offer status   | Green Premium product  |
| REACH Regulation           |  <a href="#">REACH Declaration</a>  |
| EU RoHS Directive          | Pro-active compliance (Product out of EU RoHS legal scope)  <a href="#">EU RoHS Declaration</a> |
| Mercury free               | Yes  |
| RoHS exemption information |  Yes  |

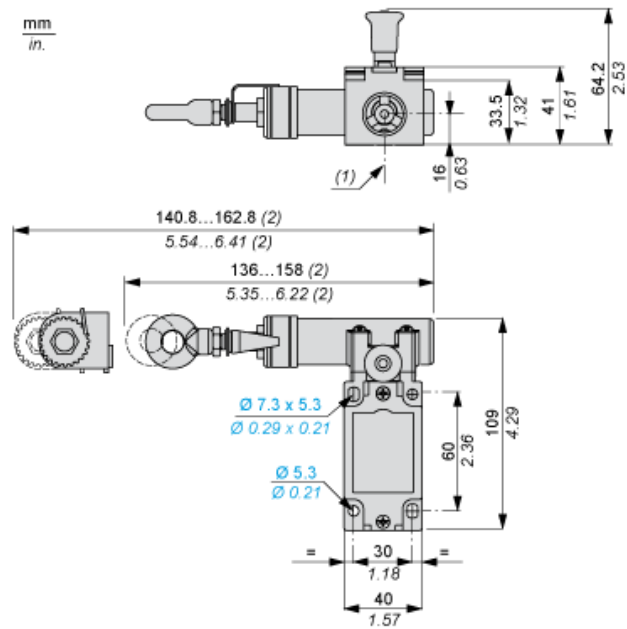
---

California proposition 65

WARNING: This product can expose you to chemicals including: Diisononyl phthalate (DINP), which is known to the State of California to cause cancer, and Di-isodecyl phthalate (DIDP), which is known to the State of California to cause birth defects or other reproductive harm. For more information go to [www.P65Warnings.ca.gov](http://www.P65Warnings.ca.gov)

---

Dimensions

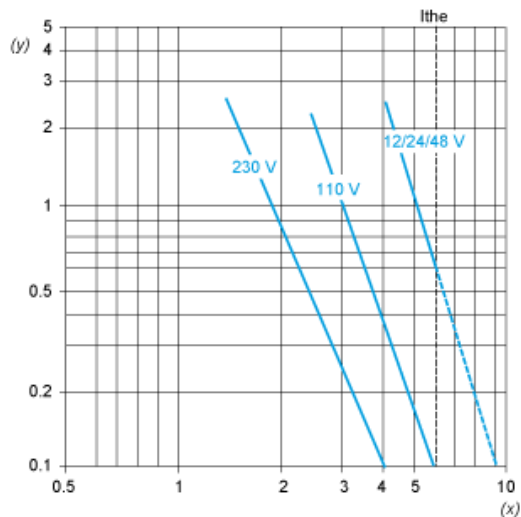


- (1) Tapped entry for ISO M20  
(2) Maximum extension.

Electrical Curves

AC Supply 50/60 Hz Inductive Circuit

3-pole Contact Block



Y Millions of operating cycles  
X Current in A

DC Supply Power Broken in for 1 Million Operating Cycles Inductive Circuit

|           |   |    |    |     |
|-----------|---|----|----|-----|
| Voltage   | V | 24 | 48 | 120 |
| <i>mm</i> | W | 4  | 3  | 2   |