



Main

Range of product	OsiSense XC
Series name	Basic
Product or component type	Limit switch
Product specific application	Light to medium duty
Device short name	XCJ
Body type	Fixed
Head type	Plunger head
Material	Plastic and metal
Fixing mode	By the body
Movement of operating head	Linear
Type of operator	Spring return plunger steel
Switch actuation	On end
Type of approach	Vertical approach, 1 direction
Electrical connection	Screw-clamp terminals
Cable entry	1 flexible rubber cable gland, cable outer diameter: 8.5...10.5 mm
Number of poles	1
Contact operation	Snap action
Positive opening	Without
Maximum force for tripping	4 N

Complementary

Contacts insulation form	C
Minimum release force	0.98 N
Minimum actuation speed	0.01 mm/s
Maximum actuation speed	0.5 m/s
Maximum operating rate	120 cyc/mn
Contact code designation	A300, AC (Ue = 240 V), Ie = 10 A, Ithe = 10 A conforming to IEC 60947-5-1 R300, DC (Ue = 220 V), Ie = 0.3 A conforming to IEC 60947-5-1
Maximum resistance across terminals	25 MOhm
[Uimp] rated impulse withstand voltage	4 kV conforming to IEC 60664
Electrical durability	800000 cycles, AC, 10 A, 220 V
Mechanical durability	10000000 cycles
Width	22 mm
Height	67 mm
Depth	70 mm
Net weight	0.086 kg
Terminals description ISO n°1	(NO-NC-C)OF

Environment

Shock resistance	10 gn for 11 ms conforming to IEC 60068-2-27
Vibration resistance	+/- 3 mm (f= 10...55 Hz) conforming to IEC 60068-2-6
IP degree of protection	IP40 conforming to IEC 60529
Electrical shock protection class	Class II conforming to IEC 60947-5-1
Ambient air temperature for operation	-25...70 °C

Ambient air temperature for storage	-40...70 °C
Marking	CE CCC
Standards	IEC 60947-5-1 GB 14048.5

Packing Units

Unit Type of Package 1	PCE
Number of Units in Package 1	1
Package 1 Height	2.000 cm
Package 1 Width	6.500 cm
Package 1 Length	7.000 cm
Package 1 Weight	88.000 g
Unit Type of Package 2	BB1
Number of Units in Package 2	10
Package 2 Height	7.500 cm
Package 2 Width	8.500 cm
Package 2 Length	22.000 cm
Package 2 Weight	927.000 g
Unit Type of Package 3	S03
Number of Units in Package 3	150
Package 3 Height	30.000 cm
Package 3 Width	30.000 cm
Package 3 Length	40.000 cm
Package 3 Weight	14.319 kg

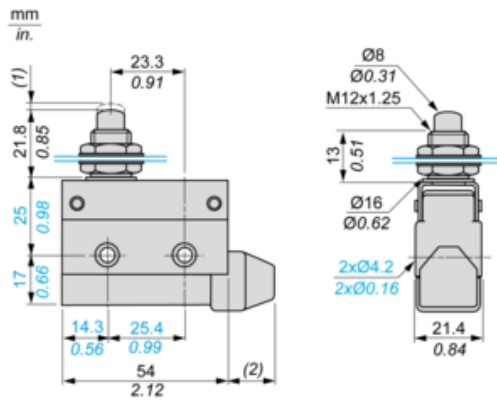
Offer Sustainability

California proposition 65	WARNING: This product can expose you to chemicals including: Diisononyl phthalate (DINP), which is known to the State of California to cause cancer, and Di-isodecyl phthalate (DIDP), which is known to the State of California to cause birth defects or other reproductive harm. For more information go to www.P65Warnings.ca.gov
For all Reach Rohs enquiries contact us at	sustainability@tesensors.com

Contractual warranty

Warranty	18 months
----------	-----------

Dimensions



- (1) : 2 mm max / 0.07 in. max
- (2) : 16.5 mm max / 0.64 in. max

Connection and Schema

Wiring Diagram

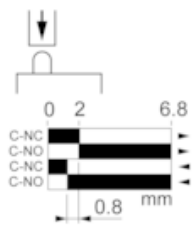
Single pole 1C/O



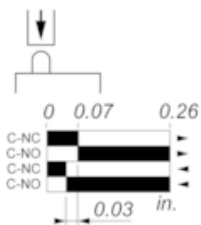
Technical Description

Type of Operator and Functional Diagram, Travel Distance

mm



in.

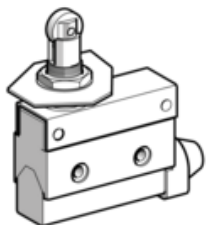


- (1)
- (2)
- ▶ (3)
- ◀ (4)

- (1) : Contact closed
- (2) : Contact open
- (3) : Tripping
- (4) : Resetting

Mounting and Fixing

Recommended



To be Avoided

