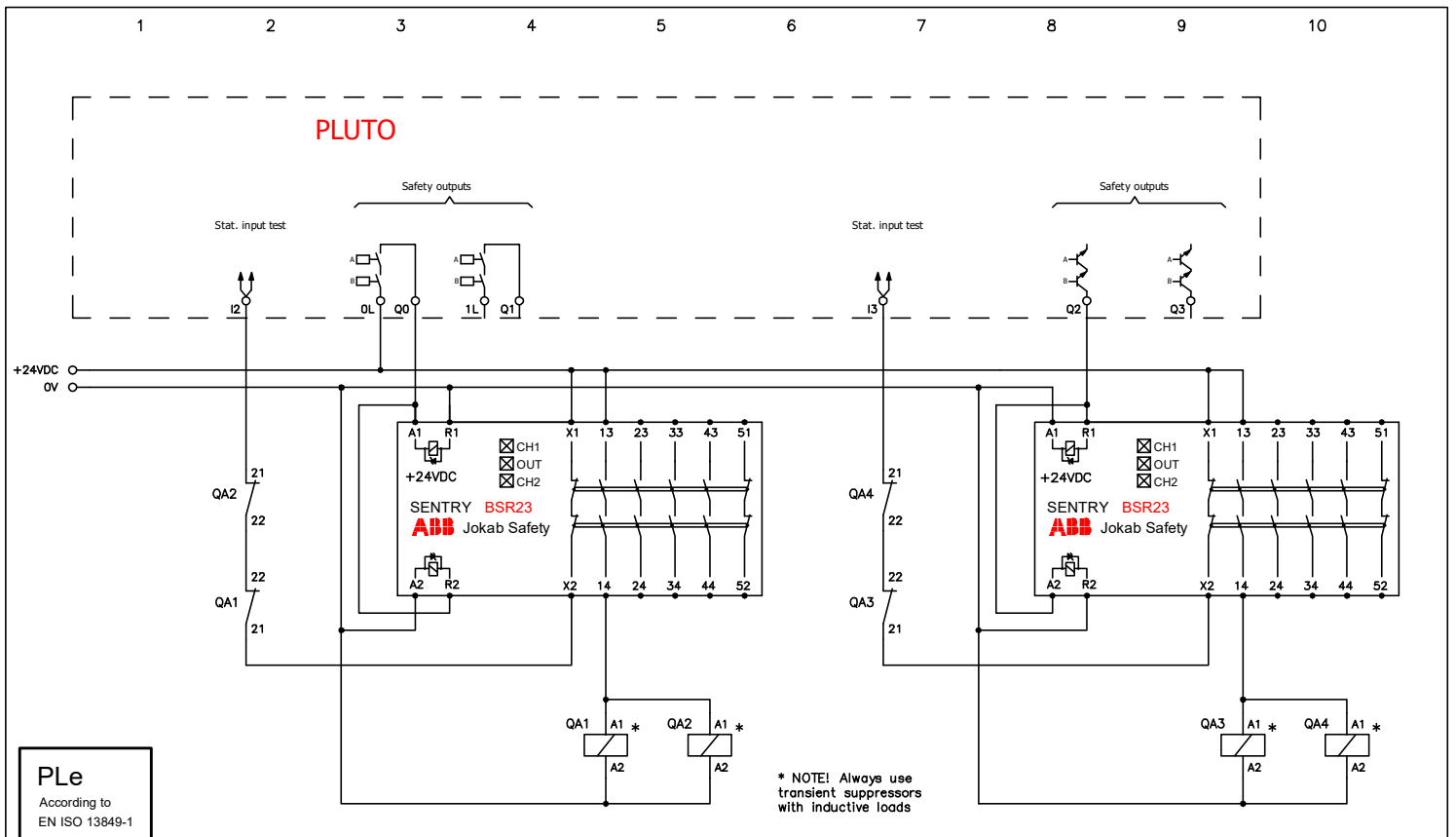


Note: It is the responsibility of the machine builder to make a risk assessment and make sure that the appropriate functional safety levels are achieved.

Anmärkning Remark BSR23 general	ABB Safety Products	Konstr Design	Godk Appr	Datum Date	Blad Sheet
		Ritad Drawn	Sidor Pages	Ritn nr Drawing no	Forts Cont
		ABB		20210707	
		ABB		2TLC010006T0001	

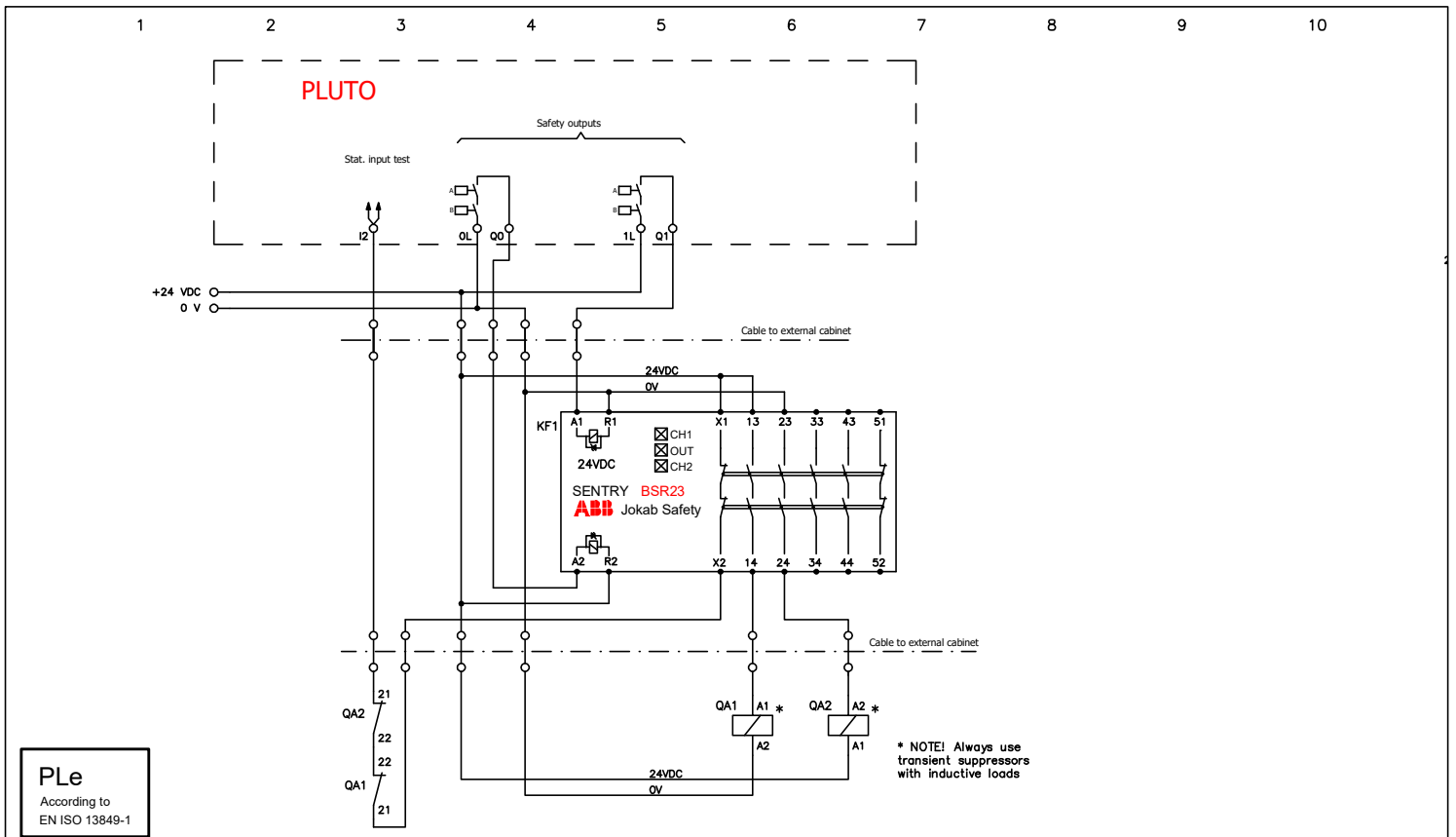


PLe
According to
EN ISO 13849-1

* NOTE! Always use transient suppressors with inductive loads

Note: The stated PL is only valid if all relevant requirements according to EN ISO 13849-1/-2 are met. It is the responsibility of the machine builder to make a risk assessment and make sure that the appropriate functional safety levels are achieved.

Anmärkning Remark BSR23 to Pluto Q0 and Q2 outputs	ABB Safety Products		Konstr Design	Godk Appr	Datum Date	Blad Sheet
			ABB		20210706	
	Ritad Drawn	Sidor Pages	Ritn nr Drawing no	Forts Cont		
			ABB		2TLC010006T0002	

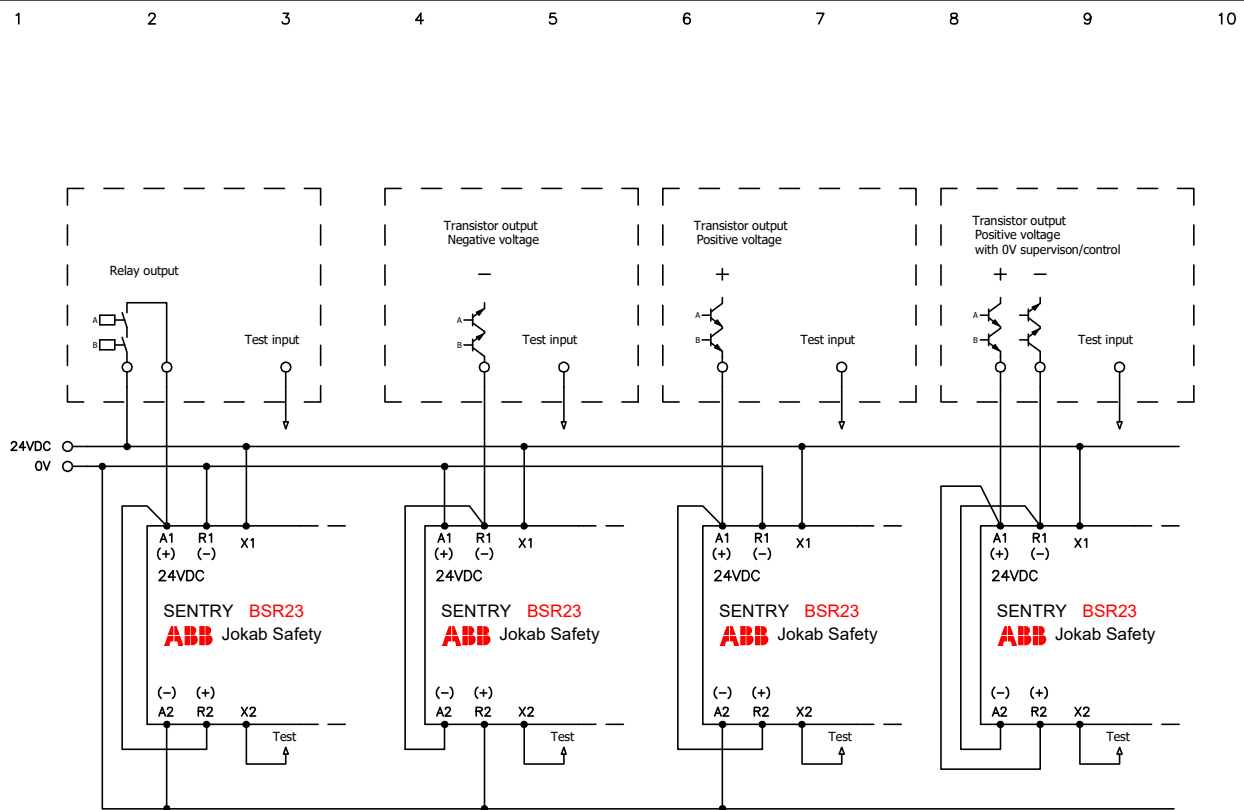


PLe
According to
EN ISO 13849-1

Note: The stated PL is only valid if all relevant requirements according to EN ISO 13849-1/-2 are met. It is the responsibility of the machine builder to make a risk assessment and make sure that the appropriate functional safety levels are achieved.

Anmärkning Remark	Konstr Design	Godk Appr	Datum Date		Blad Sheet
			20210706		
BSR23 to Pluto Q0 and Q1 outputs	Ritad Drawn	Sidor Pages	Ritn nr Drawing no		Forts Cont
			2TLC010006T0003		





Note: It is the responsibility of the machine builder to make a risk assessment and make sure that the appropriate functional safety levels are achieved.

Anmärkning Remark BSR23 as expansion relay	ABB Safety Products	Konstr Design	Godk Appr	Datum Date	Blad Sheet
		Ritad Drawn	Sidor Pages	Ritn nr Drawing no	Forts Cont
		ABB		20210707	
				2TLC010006T0004	